



# CONSUMER LIGHTING



[www.scolmoredubai.com](http://www.scolmoredubai.com)

# WELCOME TO OVIA<sup>®</sup> LIGHTING

Lighting solutions optimised for performance, energy efficiency and safety...

Already synonymous with superior performance and innovation following eight years of success as a leading name in the lighting industry, the Ovia<sup>®</sup> brand of lighting solutions has been further developed to meet the growing opportunities that transformed lighting industry offers.

Our aim quite simply is to bring to market - on the back of extensive research with customers and contractors - a range of Ovia<sup>®</sup> lighting products that will provide contractors with the quickest and easiest way to install lighting solutions that will save them time and money on a project and that they can source through the reliable wholesale channel.

Today, the comprehensive collection of lighting products from Ovia<sup>®</sup> will provide solutions for a whole spectrum of projects in a broad variety of sectors, including domestic, commercial, industrial, utility, amenity, emergency lighting and floodlighting. The lighting offer is further enhanced with the inclusion of a full range of lighting control solutions that will optimise energy saving credentials.

We guarantee our partners a range of high-quality, value-for-money products backed up by excellent local stocks, delivery service and the ability to offer detailed product support via trained staff and installer training, making sure the end user gets the best possible products and solutions for the job.

With around 900 individual products lines available, the premium range of Ovia<sup>®</sup> lighting will come under the Inceptor brand. Inceptor remains a highly-regarded brand among contractors and wholesalers and the key features and benefits of this sophisticated product range have helped to shape the new Ovia<sup>®</sup> product offer.



# OVIA® LIGHTING LABORATORY

Ovia® continues its efforts to stay one step ahead in a competitive marketplace, with significant investment in new testing equipment and a cutting-edge photometry luminaire testing scheme, which will bring the company's light testing facility in house.

The Scheme is built around the class-leading Viso systems LapSpion goniometer. Its cutting edge technology eliminates the need for a traditional goniometer and/or integrating sphere and allows manufacturers to perform these tests quickly and accurately on their own premises, without the need for a large dedicated dark room. It gives participants the ability to scan light sources and luminaires quickly and easily, creating quality, ease to understand light measurement data.



## Goniophotometer

Ovia® have purchased their own Goniophotometer device and have also signed up to the revolutionary Gonio photometry luminaire testing scheme which has been created by the LIA, together with its partner Acal BFi, to enable lighting manufacturers to offer efficient 3rd party certified luminaire performance testing.

## Photometry luminaire testing scheme

As well as radically speeding up the testing process for Ovia's lighting products, the ground breaking scheme will also offer reassurance when it comes to validating photometric measurements such as Lumens per Watt and related performance claims. Full photometric scans can take from as little as two minutes and once ready, the data is sent securely via a dedicated cloud server to the LIA Laboratory for validation. The LIA Laboratory will then be able to issue third party reports without the need for product samples to be transported around the country or the world.



# INTRODUCTION TO SCOLMORE® GROUP

Since our incorporation in 1989 we have become a significant force in the electrical accessories market.

We're proud to be a British based, family-run business, with an excellent track record of listening to what our customers need and providing the right solution every time.



## Scolmore® DUBAI

In addition to products from across the Scolmore Groups' range, a range manufactured at the Sangamo factory in Scotland has been designed specifically for the Middle East market.



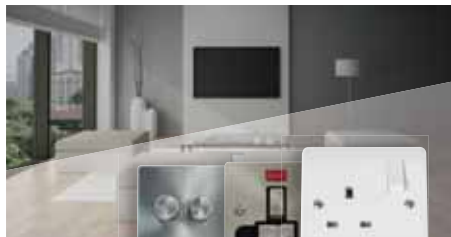
## CLICK® ScolmoreGROUP

A unique range of electrical products for all domestic electrical wiring needs. Since its introduction the Click® brand of domestic electrical wiring accessories has become synonymous with innovation, quality and unprecedented value for money.



## Ovia® ScolmoreGROUP

Already synonymous with superior performance and innovation following eight years of success as a leading name in the lighting industry, the Ovia® brand of lighting solutions offers superior variety of product options.



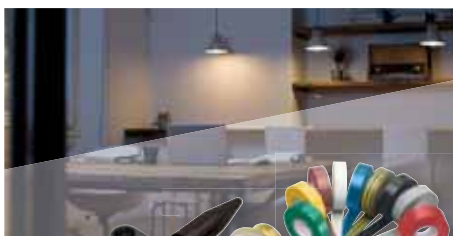
## CLICK® Litehouse

Click® Litehouse supplies a comprehensive range of domestic and semi commercial light fittings to the Electrical Wholesale market within Southern Ireland.



## esp®

ESP® is a leading safety and security product specialist offering a comprehensive range of electronic security and fire detection solutions. The range includes CCTV, video door entry, access control, fire protection and emergency lighting.



## UNICRIMP®

All products within Unicrimp® are manufactured under stringent quality control systems and are fully compliant with the very latest industry regulations. The range includes cable ties, crimp terminals, PVC tape, copper tube terminals, cable clips, and brass and nylon glands.



## SANGAMO

Sangamo are a UK manufacturer, renowned for their Round Pattern Time Switches, as well as time clocks, heating controls and thermostats. For over 60 years all of the products have been manufactured in their UK factory to the same high standard.



## espi®

ESPI® (Elite Security Products Ireland) Ltd is a market-leading supplier of a range of electronic security and fire protection products. ESPI's portfolio includes CCTV, Access Control, Fire Protection, Emergency Lighting and external area protection systems.

# LED LUMINAIRE OVERVIEW

## MENA PORTFOLIO

### DOWNLIGHTS

MELI VERSI



MELI HOVE



MELI COMI



MELI COBI



MELI ALLI



### PANEL

MELI TILE



### FLOODLIGHTING

MELI FLOOD



### LINEAR

MELI LINEAR



### HIGHBAY

MELI STONE



### SPOTLIGHT

MELI SOL



# EUROPE PORTFOLIO

## DOWNLIGHTS

INCEPTOR® OMNI V2		INCEPTOR® OMNI		INCEPTOR® NANO5		INCEPTOR® NANO V2		PICO	
PICO FG		ALUPANEL		E-SPRITE		SPRITE		INCEPTOR® APTO	
FLAME GUARD®		BAYLIS		INCEPTOR® IONA		POLYPANEL			

## EMERGENCY

INCEPTOR® HULKE		NOVEM		ORNEX		IBEX		SIBEX	
HANEX		VANEX		NEWEM		CALVEX		ERNEX	

## WALL LIGHT

ADORNA		AVORI		CENTURI		DURUS		EDEN	
TWIST		VERTA		ORNA		QUADRA			

## PANEL

INCEPTOR® SKYLAR		INCEPTOR® SLATE		INCEPTOR® SLATE BACKLIT		INCEPTOR® SLATE BACKLIT UGR		INCEPTOR® TROFA	
JURA		SLATE BACKLIT							

## BULKHEAD

INCEPTOR® EVO		EVO SLIM		EVO SLIM MINI		EVO		EVO ORB	
EVO DECO XL		BARRA							

## GROUND

TRINTIY		TRIBUS		TREVOSE		SPEAR	
LEASOWE		HOLBORN		NEO			

## LED STRIP

INCEPTOR® INTENSE	
----------------------	--

## FLOODLIGHTING

GATOR		INCEPTOR® MURUS		INCEPTOR® ACE		PATHFINDER	
-------	--	--------------------	--	------------------	--	------------	--

## CABINET

CUBI	
------	--

## CONTROLS

PIR		MICROWAVE SENSOR		PHOTOCELL	
-----	--	---------------------	--	-----------	--

## HIGHBAY

GRUS		INCEPTOR® HION	
------	--	-------------------	--

## LINEAR

U-LITE		A-LITE		B-LITE	
--------	--	--------	--	--------	--

## STARLIGHT

NOVA		OVO	
------	--	-----	--

# CONTENTS

---

## DOMESTIC LIGHTING 8

MELI SOL .....	9
MELI LAMPS .....	13

---

## UTILITY LIGHTING 14

MELI LINEAR .....	15
MELI LAMPS .....	21

---

## COMMERCIAL LIGHTING 23

MELI TILE .....	24
MELI COBI .....	28
MELI ALLI .....	31
MELI COMI .....	36
MELI VERSI .....	41
MELI HOVE .....	44
COMMERCIAL DRIVERS .....	47

---

## INDUSTRIAL LIGHTING 50

MELI STONE .....	51
------------------	----

---

## FLOOD LIGHTING 54

MELI FLOOD .....	55
------------------	----

---

## TECHNICAL SUMMARY 61



# DOMESTIC LIGHTING

**OVIA**<sup>®</sup>  
ScolmoreGROUP

[www.scolmoredubai.com](http://www.scolmoredubai.com)





# MELI SOL

**MIDDLE EAST**  
1803 Lake Central Tower, Business Bay, Dubai, UAE  
E: sales@scolmoredubai.com T: +971 4589 6552  
scolmoredubai.com

**scolmore**  
DUBAI

**UNITED KINGDOM**  
Scolmore House, Mariner,  
Lichfield Road Ind. Est. Tamworth B79 7UL  
oviaUK.com

# MELI SOL

## 7W & 10W IP20 Adjustable SMD LED Spotlights

The adjustable LED Spotlights have a built in driver and produce a uniform brightness. Available in a White Finish, they are available in two sizes, both of which are available in Warm White and Daylight. Luminous Flux up to 800lm and Luminous efficacy up to 80lm/W.



Available in two sizes

Available as a 90mm or 116mm Diameter fitting.

Energy Savings

Up to 90% Energy Savings



DOMESTIC | SPOTLIGHTS

### MIDDLE EAST

1803 Lake Central Tower, Business Bay, Dubai, UAE  
E: sales@scolmoredubai.com T: +971 4589 6552  
scolmoredubai.com



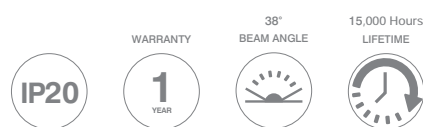
### UNITED KINGDOM

Scolmore House, Mariner,  
Lichfield Road Ind. Est. Tamworth B79 7UL  
oviaUK.com



## MELI SOL

7W Adjustable LED Spotlights IP20



SDDL1105-7W3K75MM SDDL1105-7W6.5K75MM

### CCT (K)

3000K 6500K

### Wattage

7W

### Lumens

560lm

### Efficacy (Lm/W)

80lm/W

### CRI

>80

### Beam Angle

38°

### LED Lifetime

15,000 Hours

### Voltage

220-240V~

### Frequency

50/60Hz

### Dimmable

No

### Operating Temp

-25°C - +45°C

### AVAILABLE FINISHES



### COLOUR TEMPERATURE



### CODE

### DESCRIPTION

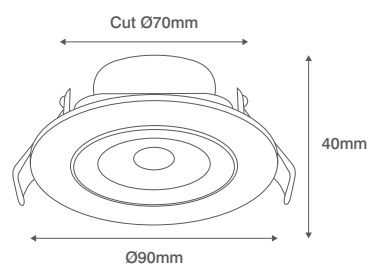
SDDL1105-7W3K75MM

7W 90mm Diameter Adjustable Spotlight - 3000K - White

SDDL1105-7W6.5K75MM

7W 90mm Diameter Adjustable Spotlight - 6500K - White

70mm-75mm Diameter Cut-Out



DOMESTIC | SPOTLIGHTS

### MIDDLE EAST

1803 Lake Central Tower, Business Bay, Dubai, UAE  
E: sales@scolmoredubai.com T: +971 4589 6552  
scolmoredubai.com



### UNITED KINGDOM

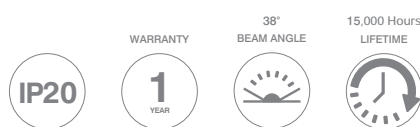
Scolmore House, Mariner,  
Lichfield Road Ind. Est. Tamworth B79 7UL  
oviaUK.com





## MELI SOL

10W Adjustable LED Spotlights IP20



SDDL1105-10W3K SDDL1105-10W6.5K

### CCT (K)

3000K 6500K

### Wattage

10W

### Lumens

800lm

### Efficacy (Lm/W)

80lm/W

### CRI

>80

### Beam Angle

38°

### LED Lifetime

15,000 Hours

### Voltage

220-240V~

### Frequency

50/60Hz

### Dimmable

No

### Operating Temp

-25°C - +45°C

### AVAILABLE FINISHES



### COLOUR TEMPERATURE



### CODE

SDDL1105-10W3K

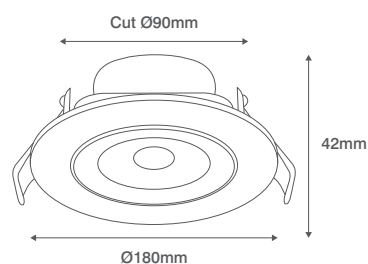
SDDL1105-10W6.5K

### DESCRIPTION

10W 116mm Diameter Adjustable Spotlight - 3000K - White

10W 116mm Diameter Adjustable Spotlight - 6500K - White

90mm-95mm Diameter Cut-Out



DOMESTIC | SPOTLIGHTS

### MIDDLE EAST

1803 Lake Central Tower, Business Bay, Dubai, UAE  
E: sales@scolmoredubai.com T: +971 4589 6552  
scolmoredubai.com



### UNITED KINGDOM

Scolmore House, Mariner,  
Lichfield Road Ind. Est. Tamworth B79 7UL  
oviaUK.com



## MELI LAMPS

### MR16 Frosted Glass LED Lamp

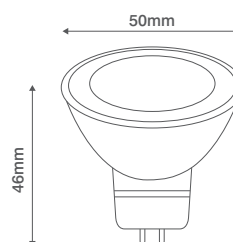


#### COLOUR TEMPERATURE



With Frosted Glass

CODE	DESCRIPTION
SDLC101-8W-L3-G5	8W MR16 Non-Dimmable Lamp



DOMESTIC | REPLACEABLE LAMPS

#### CCT (K)

6500K

#### Wattage

8W

#### Lumens

620lm

#### Efficacy (Lm/W)

80lm/W

#### CRI

>80

#### Beam Angle

38°

#### LED Lifetime

15,000 Hours

#### Voltage

12V DC

#### Dimmable

No

#### Operating Temp

25°C

#### MIDDLE EAST

1803 Lake Central Tower, Business Bay, Dubai, UAE  
E: sales@scolmoredubai.com T: +971 4589 6552  
scolmoredubai.com



#### UNITED KINGDOM

Scolmore House, Mariner,  
Lichfield Road Ind. Est. Tamworth B79 7UL  
oviaUK.com

# UTILITY LIGHTING



[www.scolmoredubai.com](http://www.scolmoredubai.com)



# MELI LINEAR

**MIDDLE EAST**

1803 Lake Central Tower, Business Bay, Dubai, UAE  
E: [sales@scolmoredubai.com](mailto:sales@scolmoredubai.com) T: +971 4589 6552  
[scolmoredubai.com](http://scolmoredubai.com)



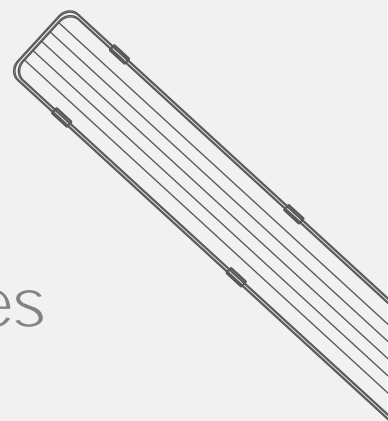
**UNITED KINGDOM**

Scolmore House, Mariner,  
Lichfield Road Ind. Est. Tamworth B79 7UL  
[oviaUK.com](http://oviaUK.com)

# MELI LINEAR

## Linear IP65 LED Luminaires

Available in a grey finish and a range of lengths



110°  
Beam Angle



25,000  
Hour Lifetime

UTILITY | LINEAR

**MIDDLE EAST**

1803 Lake Central Tower, Business Bay, Dubai, UAE  
E: sales@scolmoredubai.com T: +971 4589 6552  
scolmoredubai.com



**UNITED KINGDOM**

Scolmore House, Mariner,  
Lichfield Road Ind. Est. Tamworth B79 7UL  
oviaUK.com



## MELI LINEAR

Linear LED Luminaires IP65



AVAILABLE FINISHES

COLOUR TEMPERATURE



SDFF302-1X9-S6K

SDFF302-2X9-D6K

### CCT (K)

6500K

6500K

### Wattage

9W

18W

### Lumens

900lm

1800lm

### Efficacy (Lm/W)

100lm/W

### CRI

>80

### Beam Angle

110°

### LED Lifetime

25,000 Hours

### Voltage

220-240V~

### Frequency

50/60Hz

### Dimmable

No

### Operating Temp

-20°C - +50°C

CODE

DESCRIPTION

**SDFF302-1X9-S6K**

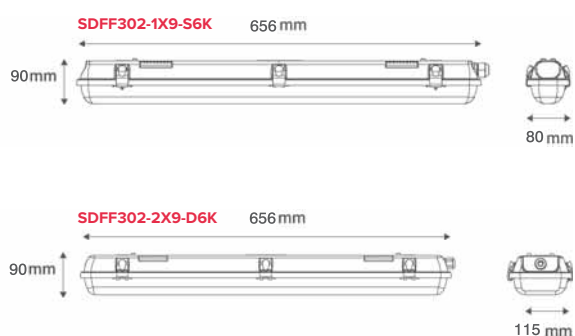
9W Linear Luminaire (With Tube) - 6500K

Double Ended Connection With T8 LED Tube Supplied

**SDFF302-2X9-D6K**

18W (2 x 9W) Linear Luminaire (With Tubes) - 6500K

Double Ended Connection With T8 LED Tubes Supplied



UTILITY | LINEAR

#### MIDDLE EAST

1803 Lake Central Tower, Business Bay, Dubai, UAE  
E: sales@scolmoredubai.com T: +971 4589 6552  
scolmoredubai.com



#### UNITED KINGDOM

Scolmore House, Mariner,  
Lichfield Road Ind. Est. Tamworth B79 7UL  
oviaUK.com

## MELI LINEAR

Linear LED Luminaires IP65



AVAILABLE FINISHES



COLOUR TEMPERATURE



CODE

DESCRIPTION

**SDF302-S6.5K**

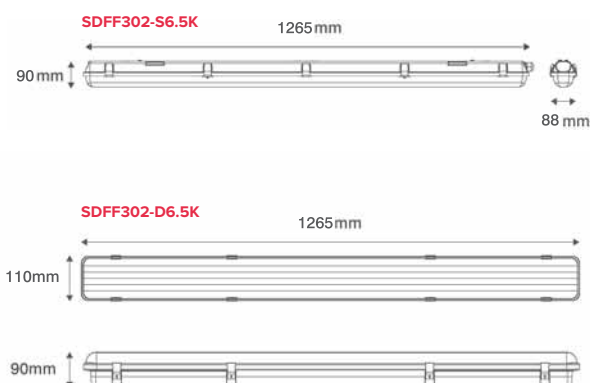
18W Linear Utility Luminaire (With Tube)

Double Ended Connection With T8 LED Tube Supplied

**SDF302-D6.5K**

36W (2 x 18W) Linear Luminaire (With Tubes)  
- 6500K

Double Ended Connection With T8 LED Tubes Supplied



UTILITY | LINEAR

SDF302-S6.5K SDF302-D6.5K

CCT (K)

6500K

Wattage

18W 36W

Lumens

1550lm 2880lm

Efficacy (Lm/W)

85lm/W 80lm/W

CRI

>80

Beam Angle

110°

LED Lifetime

2525,000 Hours

Voltage

220-240V~

Frequency

50/60Hz

Dimmable

No

Operating Temp

-20°C - +50°C

### MIDDLE EAST

1803 Lake Central Tower, Business Bay, Dubai, UAE  
E: sales@scolmoredubai.com T: +971 4589 6552  
scolmoredubai.com

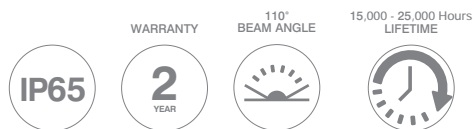


### UNITED KINGDOM

Scolmore House, Mariner,  
Lichfield Road Ind. Est. Tamworth B79 7UL  
oviaUK.com

## MELI LINEAR

Linear LED Luminaires IP65



SDF508-Single SDF508-Double

### CCT (K)

6500K

### Wattage

18W 36W

### Lumens

1550lm 2890lm

### Efficacy (Lm/W)

85lm/W 80lm/W

### CRI

>80

### Beam Angle

110°

### LED Lifetime

25,000 Hours

### Voltage

220-240V~

### Frequency

50/60Hz

### Dimmable

No

### Operating Temp

-20°C - +50°C

AVAILABLE FINISHES



COLOUR TEMPERATURE



CODE

DESCRIPTION

**SDF508-SINGLE**

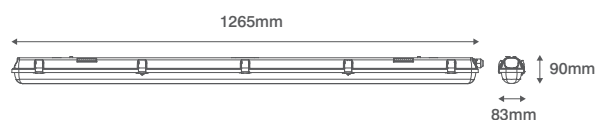
18W Linear Luminaire (With Tube) - 6500K

Single Ended Connection With T8 LED Tube Supplied

**SDF508-DOUBLE**

36W (2 x 18W) Linear Luminaire (With Tubes) - 6500K

Single Ended Connection With T8 LED Tubes Supplied



UTILITY | LINEAR

#### MIDDLE EAST

1803 Lake Central Tower, Business Bay, Dubai, UAE  
E: sales@scolmoredubai.com T: +971 4589 6552  
scolmoredubai.com



#### UNITED KINGDOM

Scolmore House, Mariner,  
Lichfield Road Ind. Est. Tamworth B79 7UL  
oviaUK.com



## MELI LINEAR

Linear LED Battens IP20



SDLU2052-S1X18    SDLU2052-S2X18

### CCT (K)

6500K    6500K

### Wattage

18W    36W

### Lumens

1900lm    3700lm

### Efficacy (Lm/W)

105lm/W    102lm/W

### CRI

>80    >80

### Beam Angle

200°    200°

### LED Lifetime

15,000 Hours    15,000 Hours

### Voltage

230V~    230V~

### Frequency

50/60Hz    50/60Hz

### Dimmable

No    No

### Operating Temp

25°C    25°C

AVAILABLE FINISHES



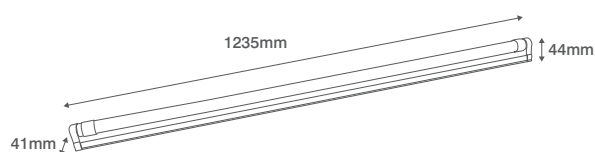
COLOUR TEMPERATURE



Single Ended Connection With T8 LED Tube Supplied Packed Separately.

CODE	DESCRIPTION
SDLU2052-S1X18	18W Linear Batten (With Tube) - 6500K
SDLU2052-S2X18	36W (2 x 18W) Linear Batten (With Tubes) - 6500K

SDLU2052-S1X18



SDLU2052-S2X18



UTILITY | LINEAR

**MIDDLE EAST**  
1803 Lake Central Tower, Business Bay, Dubai, UAE  
E: sales@scolmoredubai.com T: +971 4589 6552  
scolmoredubai.com



**UNITED KINGDOM**  
Scolmore House, Mariner,  
Lichfield Road Ind. Est. Tamworth B79 7UL  
oviaUK.com



## MELI LAMPS

### T8W LED Lamps



SDLT101-18W-120LM/W    SDLT151-18W-100LM/W

#### CCT (K)

6500K

#### Wattage

18W

#### Lumens

2200lm

1800lm

#### Efficacy (Lm/W)

120lm/W

100lm/W

#### CRI

>80

#### Beam Angle

200°

#### LED Lifetime

15,000 Hours

#### Voltage

230V~

185-265V~

#### Frequency

50/60Hz

#### Dimmable

No

#### Operating Temp

25°C

#### COLOUR TEMPERATURE



#### CODE

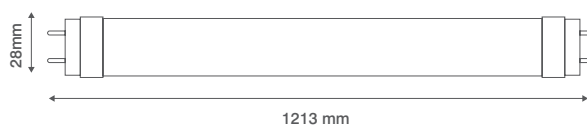
SDLT101-18W-120LM/W

#### DESCRIPTION

LED 18W T8 Lamp - 6500K Single ended connection

SDLT151-18W-100LM/W

LED 18W T8 SMD Lamp - 6500K Double ended connection



#### PRODUCT APPROVALS

BS EN 62776 BS EN 55015 BS EN 61547 BS EN 61000-3-2 BS EN 61000-3-3



#### MIDDLE EAST

1803 Lake Central Tower, Business Bay, Dubai, UAE  
E: sales@scolmoredubai.com T: +971 4589 6552  
scolmoredubai.com



#### UNITED KINGDOM

Scolmore House, Mariner,  
Lichfield Road Ind. Est. Tamworth B79 7UL  
oviaUK.com

# COMMERCIAL LIGHTING



[www.scolmoredubai.com](http://www.scolmoredubai.com)



# MELI TILE

**MIDDLE EAST**

1803 Lake Central Tower, Business Bay, Dubai, UAE  
E: [sales@scolmoredubai.com](mailto:sales@scolmoredubai.com) T: +971 4589 6552  
[scolmoredubai.com](http://scolmoredubai.com)

**scolmore**  
DUBAI

**UNITED KINGDOM**

Scolmore House, Mariner,  
Lichfield Road Ind. Est. Tamworth B79 7UL  
[oviaUK.com](http://oviaUK.com)

# MELI TILE

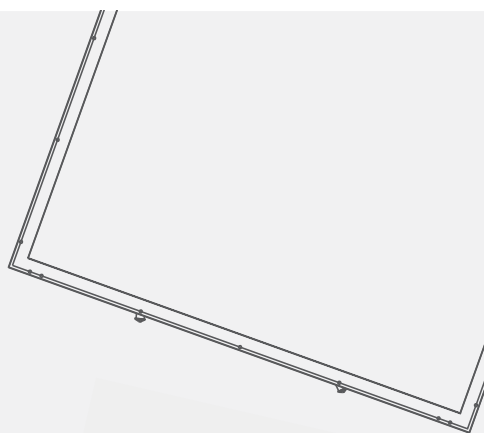
## 600 x 600mm LED Panels

Our versatile fittings come in a White Finish and are available in 36W as standard, Backlit versions are available in 40W.



## Remote Driver

The Meli Tile comes complete with a Remote Driver.



COMMERCIAL | PANEL

595mm

595mm

120°  
Beam Angle

25,000  
Hour Lifetime

**MIDDLE EAST**

1803 Lake Central Tower, Business Bay, Dubai, UAE  
E: sales@scolmoredubai.com T: +971 4589 6552  
scolmoredubai.com



**UNITED KINGDOM**

Scolmore House, Mariner,  
Lichfield Road Ind. Est. Tamworth B79 7UL  
oviaUK.com



## MELI TILE

36W 600mm x 600mm LED Panels



AVAILABLE FINISHES



COLOUR TEMPERATURE



SDPL1005-36W4K

SDPL1005-36W6K

CCT (K)

4000K

6000K

Wattage

36W

Lumens

3600lm

Efficacy (Lm/W)

100lm/W

CRI

>80

Beam Angle

120°

LED Lifetime

50,000 Hours

Voltage

220-240V~

Frequency

50/60Hz

50/60Hz

Dimmable

No

Operating Temp

-25°C - +45°C

Complete with Remote Driver

CODE

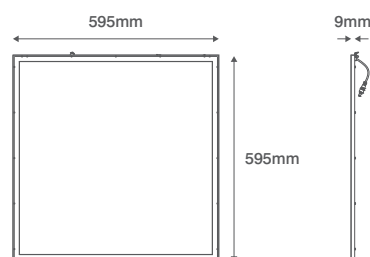
DESCRIPTION

SDPL1005-36W4K

36W Edge Lit Panel - 4000K - White

SDPL1005-36W6K

36W Edge Lit Panel - 6000K - White



COMMERCIAL | PANEL

### MIDDLE EAST

1803 Lake Central Tower, Business Bay, Dubai, UAE  
E: sales@scolmoredubai.com T: +971 4589 6552  
scolmoredubai.com



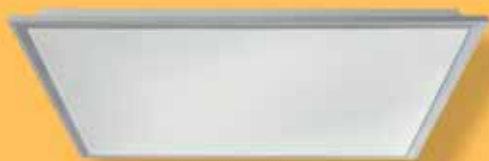
### UNITED KINGDOM

Scolmore House, Mariner,  
Lichfield Road Ind. Est. Tamworth B79 7UL  
oviaUK.com



## MELI TILE

40W 600mm x 600mm Backlit LED Panels



SDPL2005-40W4K

SDPL2005-40W6K

### CCT (K)

4000K

6000K

### Wattage

40W

### Lumens

4000lm

### Efficacy (Lm/W)

100lm/W

### CRI

>80

### Beam Angle

120°

### LED Lifetime

50,000 Hours

### Voltage

220-240V~

### Frequency

50/60Hz

### Dimmable

No

### Operating Temp

-25°C - +45°C

### AVAILABLE FINISHES



### COLOUR TEMPERATURE



Complete with Remote Driver

### CODE

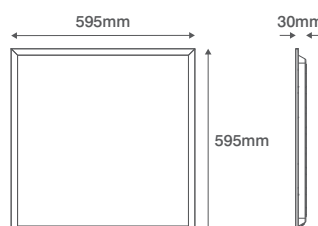
SDPL2005-40W4K

### DESCRIPTION

40W Backlit Panel - 4000K - White

SDPL2005-40W6K

40W Backlit Panel - 6000K - White



COMMERCIAL | PANEL

### MIDDLE EAST

1803 Lake Central Tower, Business Bay, Dubai, UAE  
E: sales@scolmoredubai.com T: +971 4589 6552  
scolmoredubai.com



### UNITED KINGDOM

Scolmore House, Mariner,  
Lichfield Road Ind. Est. Tamworth B79 7UL  
oviaUK.com





# MELI COBI

**MIDDLE EAST**  
1803 Lake Central Tower, Business Bay, Dubai, UAE  
E: [sales@scolmoredubai.com](mailto:sales@scolmoredubai.com) T: +971 4589 6552  
[scolmoredubai.com](http://scolmoredubai.com)

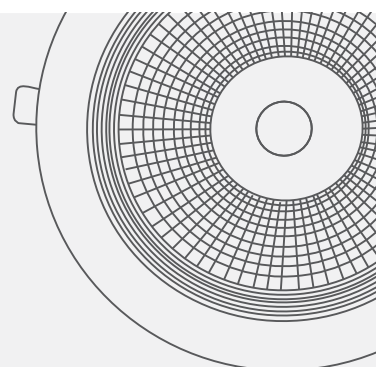
**scolmore**  
DUBAI

**UNITED KINGDOM**  
Scolmore House, Mariner,  
Lichfield Road Ind. Est. Tamworth B79 7UL  
[oviaUK.com](http://oviaUK.com)

# MELI COBI

## 30W Recessed LED Downlights IP20

LED downlights available in a white finish.



COMMERCIAL | DOWNLIGHTS

Ø200-205mm  
Cut-Out

120°  
Beam Angle

25,000  
Hour Lifetime

**MIDDLE EAST**  
1803 Lake Central Tower, Business Bay, Dubai, UAE  
E: sales@scolmoredubai.com T: +971 4589 6552  
scolmoredubai.com



**UNITED KINGDOM**  
Scolmore House, Mariner,  
Lichfield Road Ind. Est. Tamworth B79 7UL  
oviaUK.com

## MELI COBI

30W Recessed LED Downlights IP20



SDAL2042-30W6.5K

### CCT (K)

6500K

### Wattage

30W

### Lumens

3000lm

### Efficacy (Lm/W)

100lm/W

### CRI

>80

### Beam Angle

120°

### LED Lifetime

25,000 Hours

### Voltage

220-240V~

### Frequency

50/60Hz

### Dimmable

No

### Operating Temp

-25°C - +45°C



AVAILABLE FINISHES



COLOUR TEMPERATURE



CODE

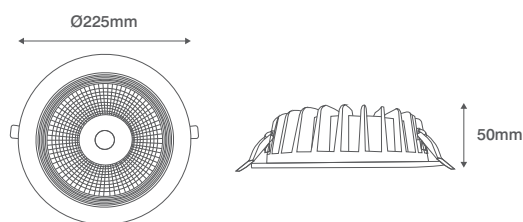
SDAL2042-30W6.5K

DESCRIPTION

30W 225mm Diameter Downlight - 6500K - White

Remote LED Driver

200mm-205mm Diameter Cut-Out



#### MIDDLE EAST

1803 Lake Central Tower, Business Bay, Dubai, UAE  
E: sales@scolmoredubai.com T: +971 4589 6552  
scolmoredubai.com

#### UNITED KINGDOM

Scolmore House, Mariner,  
Lichfield Road Ind. Est. Tamworth B79 7UL  
oviaUK.com



# MELI ALLI

**MIDDLE EAST**

1803 Lake Central Tower, Business Bay, Dubai, UAE  
E: [sales@scolmoredubai.com](mailto:sales@scolmoredubai.com) T: +971 4589 6552  
[scolmoredubai.com](http://scolmoredubai.com)



**UNITED KINGDOM**

Scolmore House, Mariner,  
Lichfield Road Ind. Est. Tamworth B79 7UL  
[oviaUK.com](http://oviaUK.com)

# MELI ALLI

## Easy install Slim Recessed LED Downlights

90% energy savings compared to conventional fittings. With a uniform brightness the Meli Alli is available in 12W, 18W and 24W, all fittings come in a White Finish. Luminous Flux up to 960-2040 lm and Luminous efficacy up to 80-85 lm/W.



3 Sizes Available

Remote LED Driver

Each size fitting is available in a Cool White and a Daylight version.

All Meli Alli Downlights come complete with a Remote LED Driver.

COMMERCIAL | DOWNLIGHTS



**MIDDLE EAST**  
 1803 Lake Central Tower, Business Bay, Dubai, UAE  
 E: sales@scolmoredubai.com T: +971 4589 6552  
 scolmoredubai.com



**UNITED KINGDOM**  
 Scolmore House, Mariner,  
 Lichfield Road Ind. Est. Tamworth B79 7UL  
 oviaUK.com

## MELI ALLI

12W Slim Recessed LED Downlights IP20



	SDAL1001-12W4K	SDAL1001-12W6.5K
<b>CCT (K)</b>	4000K	6500K
<b>Wattage</b>	12W	
<b>Lumens</b>	960lm	
<b>Efficacy (Lm/W)</b>	80lm/W	
<b>CRI</b>	>80	
<b>Beam Angle</b>	120°	
<b>LED Lifetime</b>	30,000 Hours	
<b>Voltage</b>	220-240V~	
<b>Frequency</b>	50/60Hz	
<b>Dimmable</b>	No	
<b>Operating Temp</b>	-25°C - +45°C	

### AVAILABLE FINISHES



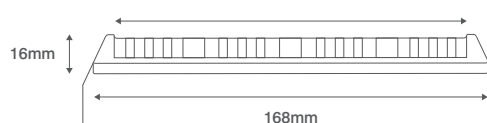
### COLOUR TEMPERATURE



### Remote LED Driver

CODE	DESCRIPTION
SDAL1001-12W4K	12W 168mm Diameter Downlight - 4000K - White
SDAL1001-12W6.5K	12W 168mm Diameter Downlight - 6500K - White

155mm Diameter Cut-Out



COMMERCIAL | DOWNLIGHTS

**MIDDLE EAST**  
1803 Lake Central Tower, Business Bay, Dubai, UAE  
E: sales@scolmoredubai.com T: +971 4589 6552  
scolmoredubai.com



**UNITED KINGDOM**  
Scolmore House, Mariner,  
Lichfield Road Ind. Est. Tamworth B79 7UL  
oviaUK.com





## MELI ALLI

18W Slim Recessed LED Downlights IP20



	SDAL1001-18W4K	SDAL1001-18W6.5K
<b>CCT (K)</b>	4000K	6500K
<b>Wattage</b>	18W	
<b>Lumens</b>	1530lm	
<b>Efficacy (Lm/W)</b>	85lm/W	
<b>CRI</b>	>80	
<b>Beam Angle</b>	120°	
<b>LED Lifetime</b>	30,000 Hours	
<b>Voltage</b>	220-240V~	
<b>Frequency</b>	50/60Hz	
<b>Dimmable</b>	No	
<b>Operating Temp</b>	-25°C - +45°C	

### AVAILABLE FINISHES



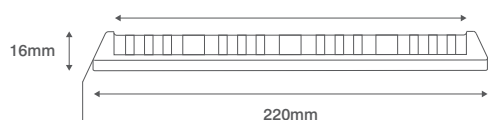
### COLOUR TEMPERATURE



### Remote LED Driver

CODE	DESCRIPTION
SDAL1001-18W4K	18W 220mm Diameter Downlight - 4000K - White
SDAL1001-18W6.5K	18W 220mm Diameter Downlight - 6500K - White

205mm Diameter Cut-Out



## MELI ALLI

24W Slim Recessed LED Downlights IP20



SDAL1001-24W4K

SDAL1001-24W6.5K

### CCT (K)

4000K

6500K

### Wattage

24W

### Lumens

2040lm

### Efficacy (Lm/W)

85lm/W

### CRI

>80

### Beam Angle

120°

### LED Lifetime

30,000 Hours

### Voltage

220-240V~

### Frequency

50/60Hz

### Dimmable

No

### Operating Temp

-25°C - +45°C



### AVAILABLE FINISHES



### COLOUR TEMPERATURE



### Remote LED Driver

### CODE

SDAL1001-24W4K

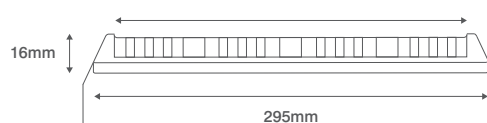
SDAL1001-24W6.5K

### DESCRIPTION

24W 295mm Diameter Downlight - 4000K - White

24W 295mm Diameter Downlight - 6500K - White

280mm Diameter Cut-Out



### MIDDLE EAST

1803 Lake Central Tower, Business Bay, Dubai, UAE  
E: sales@scolmoredubai.com T: +971 4589 6552  
scolmoredubai.com

### UNITED KINGDOM

Scolmore House, Mariner,  
Lichfield Road Ind. Est. Tamworth B79 7UL  
oviaUK.com



# MELI COMI

**MIDDLE EAST**

1803 Lake Central Tower, Business Bay, Dubai, UAE  
E: [sales@scolmoredubai.com](mailto:sales@scolmoredubai.com) T: +971 4589 6552  
[scolmoredubai.com](http://scolmoredubai.com)



**UNITED KINGDOM**

Scolmore House, Mariner,  
Lichfield Road Ind. Est. Tamworth B79 7UL  
[oviaUK.com](http://oviaUK.com)

# MELI COMI

## 15W, 20W & 24W Recessed LED Downlights IP20/44

Available in 15W, 20W & 24W versions, all come in a White Finish



## 2 Sizes Available

Each size fitting is available in a Cool White and a Daylight version.



COMMERCIAL | DOWNLIGHTS

**MIDDLE EAST**

1803 Lake Central Tower, Business Bay, Dubai, UAE  
 E: sales@scolmoredubai.com T: +971 4589 6552  
 scolmoredubai.com



**UNITED KINGDOM**

Scolmore House, Mariner,  
 Lichfield Road Ind. Est. Tamworth B79 7UL  
 oviaUK.com

## MELI COMI

15W Recessed LED Downlights IP20/IP44



SDAL2018-15W4K

SDAL2018-15W6.5K

### CCT (K)

4000K

6500K

### Wattage

15W

### Lumens

1350lm

### Efficacy (Lm/W)

90lm/W

### CRI

>80

### Beam Angle

100°

### LED Lifetime

25,000 Hours

### Voltage

220-240V~

### Frequency

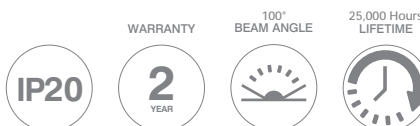
50/60Hz

### Dimmable

No

### Operating Temp

-25°C - +45°C



### AVAILABLE FINISHES



### COLOUR TEMPERATURE



### CODE

SDAL2018-15W4K

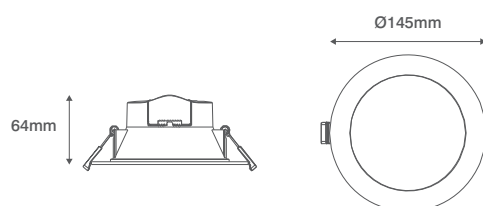
### DESCRIPTION

15W 145mm Diameter Downlight - 4000K - White

SDAL2018-15W6.5K

15W 145mm Diameter Downlight - 6500K - White

120mm Diameter Cut-Out



#### MIDDLE EAST

1803 Lake Central Tower, Business Bay, Dubai, UAE  
E: sales@scolmoredubai.com T: +971 4589 6552  
scolmoredubai.com

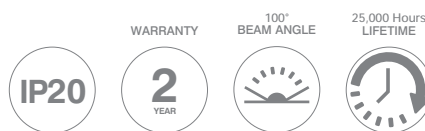


#### UNITED KINGDOM

Scolmore House, Mariner,  
Lichfield Road Ind. Est. Tamworth B79 7UL  
oviaUK.com

## MELI COMI

20W Recessed LED Downlights IP20/IP44



SDAL2018-20W4K

SDAL2018-20W6.5K

### CCT (K)

4000K

6500K

### Wattage

20W

### Lumens

1800lm

### Efficacy (Lm/W)

90lm/W

### CRI

>80

### Beam Angle

100°

### LED Lifetime

25,000 Hours

### Voltage

220-240V~

### Frequency

50/60Hz

### Dimmable

No

### Operating Temp

-25°C - +45°C

### AVAILABLE FINISHES



### COLOUR TEMPERATURE



### CODE

SDAL2018-20W4K

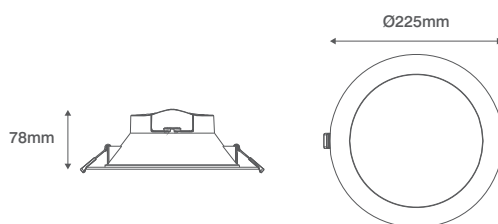
SDAL2018-20W6.5K

### DESCRIPTION

20W 225mm Diameter Downlight - 4000K - White

20W 225mm Diameter Downlight - 6500K - White

185mm Diameter Cut-Out



### MIDDLE EAST

1803 Lake Central Tower, Business Bay, Dubai, UAE  
E: sales@scolmoredubai.com T: +971 4589 6552  
scolmoredubai.com

### UNITED KINGDOM

Scolmore House, Mariner,  
Lichfield Road Ind. Est. Tamworth B79 7UL  
oviaUK.com

## MELI COMI

24W Recessed LED Downlights IP20/IP44



SDAL2018-24W4K

SDAL2018-24W6.5K

### CCT (K)

4000K

6500K

### Wattage

24W

### Lumens

2160lm

### Efficacy (Lm/W)

90lm/W

### CRI

>80

### Beam Angle

100°

### LED Lifetime

25,000 Hours

### Voltage

220-240V~

### Frequency

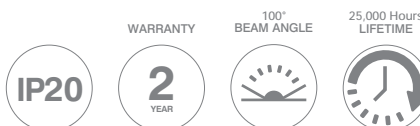
50/60Hz

### Dimmable

No

### Operating Temp

-25°C - +45°C



### AVAILABLE FINISHES



### COLOUR TEMPERATURE



### CODE

SDAL2018-24W4K

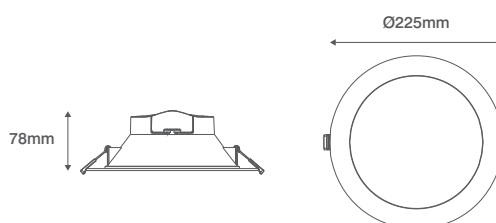
SDAL2018-24W6.5K

### DESCRIPTION

24W 225mm Diameter Downlight - 4000K - White

24W 225mm Diameter Downlight - 6500K - White

185mm Diameter Cut-Out



#### MIDDLE EAST

1803 Lake Central Tower, Business Bay, Dubai, UAE  
E: sales@scolmoredubai.com T: +971 4589 6552  
scolmoredubai.com

#### UNITED KINGDOM

Scolmore House, Mariner,  
Lichfield Road Ind. Est. Tamworth B79 7UL  
oviaUK.com



# MELI VERSI

**MIDDLE EAST**

1803 Lake Central Tower, Business Bay, Dubai, UAE  
E: [sales@scolmoredubai.com](mailto:sales@scolmoredubai.com) T: +971 4589 6552  
[scolmoredubai.com](http://scolmoredubai.com)

**Scolmore**<sup>®</sup>  
DUBAI

**UNITED KINGDOM**

Scolmore House, Mariner,  
Lichfield Road Ind. Est. Tamworth B79 7UL  
[oviaUK.com](http://oviaUK.com)



# MELI VERSI

## Adaptable LED Dimmable Downlight With CTA Switch

This adaptable easy to install LED Downlight has a uniform brightness and 90% energy savings compared to conventional fittings. Available dimmable as standard and comes in 12W and 18W versions. Luminous Flux up to 1530lm and Luminous efficacy up to 80-85 lm/W.



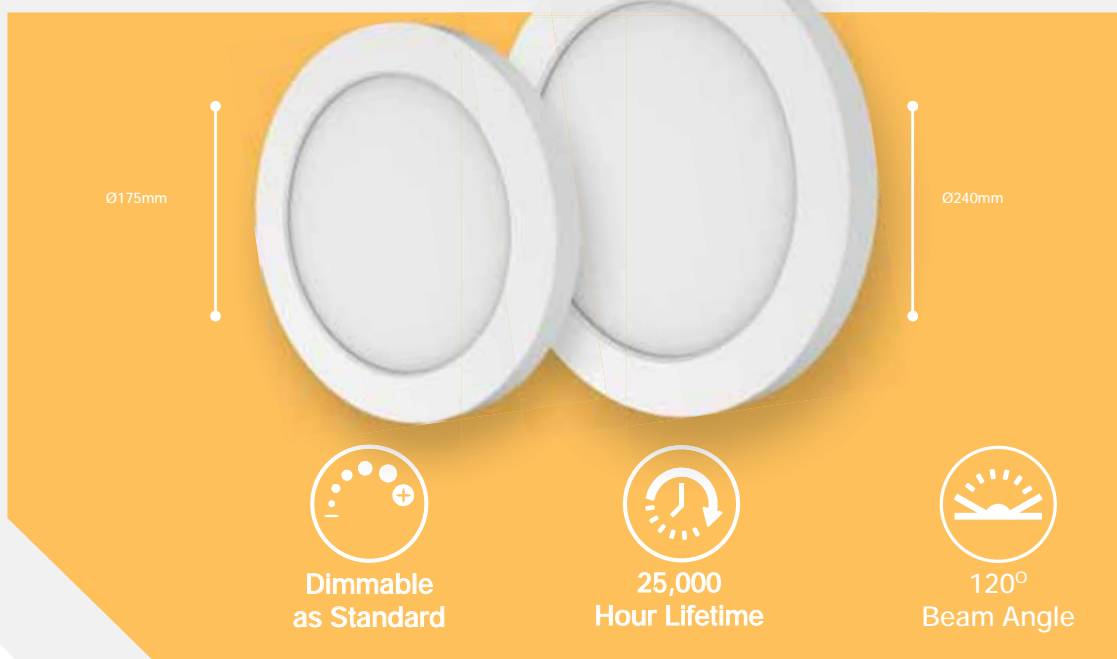
### CTA Switch

Adjust the colour temperature between, Warm White, Cool White and Daylight.



### Integrated Driver

COMMERCIAL | DOWNLIGHTS



**MIDDLE EAST**  
 1803 Lake Central Tower, Business Bay, Dubai, UAE  
 E: sales@scolmoredubai.com T: +971 4589 6552  
 scolmoredubai.com



**UNITED KINGDOM**  
 Scolmore House, Mariner,  
 Lichfield Road Ind. Est. Tamworth B79 7UL  
 oviaUK.com



## MELI VERSI

12W & 18W Adaptable LED  
Downlight With CTA Switch



SDAL1030-12W-CCT      SDAL1030-18W-CCT

**CCT (K)**  
3000K 4000K 6400K      3000K 4000K 6400K

**Wattage**  
12W      18W

**Lumens**  
960lm      1530lm

**Efficacy (Lm/W)**  
80lm/W      85lm/W

**CRI**  
>80

**Beam Angle**  
120°

**LED Lifetime**  
25,000 Hours

**Voltage**  
220-240V ~

**Frequency**  
50/60Hz

**Dimmable**  
Yes

**Operating Temp**  
-25°C - +40°C

### AVAILABLE FINISHES



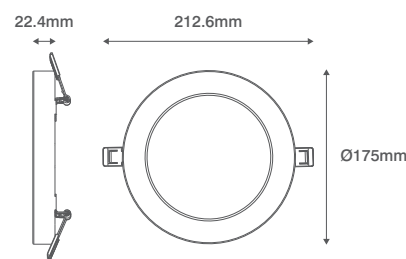
### COLOUR TEMPERATURE



CODE	DESCRIPTION
SDAL1030-12W-CCT	12W 175mm Diameter Adaptable Downlight - CTA - White
SDAL1030-18W-CCT	18W 240mm Diameter Adaptable Downlight - CTA - White

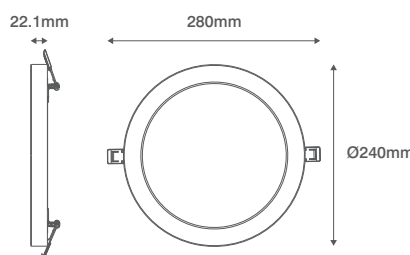
#### SDAL1030-12W-CCT

44-113mm Diameter Cut-Out



#### SDAL1030-18W-CCT

44-182mm Diameter Cut-Out



COMMERCIAL | DOWNLIGHTS



# MELI HOVE

**MIDDLE EAST**

1803 Lake Central Tower, Business Bay, Dubai, UAE  
E: [sales@scolmoredubai.com](mailto:sales@scolmoredubai.com) T: +971 4589 6552  
[scolmoredubai.com](http://scolmoredubai.com)

**Scolmore**<sup>®</sup>  
DUBAI

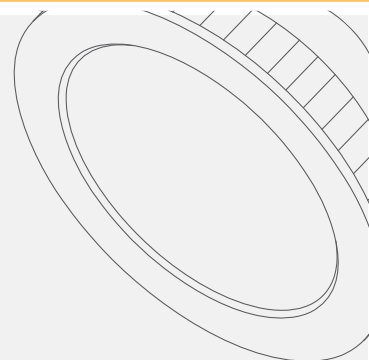
**UNITED KINGDOM**

Scolmore House, Mariner,  
Lichfield Road Ind. Est. Tamworth B79 7UL  
[oviaUK.com](http://oviaUK.com)

# MELI HOVE

## Recessed LED Downlights

This recessed LED Downlight is dimmable as standard and comes in 15W and 25W versions.



COMMERCIAL | DOWNLIGHTS

**MIDDLE EAST**  
 1803 Lake Central Tower, Business Bay, Dubai, UAE  
 E: sales@scolmoredubai.com T: +971 4589 6552  
 scolmoredubai.com



**UNITED KINGDOM**  
 Scolmore House, Mariner,  
 Lichfield Road Ind. Est. Tamworth B79 7UL  
 oviaUK.com

## MELI HOVE

15W & 25W Recessed LED Downlights



SDAL2008-15C      SDAL2008-25C

**CCT (K)**  
6000K

**Wattage**  
15W      25W

**Lumens**  
1200lm      2000lm

**Efficacy (Lm/W)**  
80lm/W

**CRI**  
>80

**Beam Angle**  
110°

**LED Lifetime**  
30,000 Hours

**Voltage**  
220V ~

**Frequency**  
50/60Hz

**Dimmable**  
Yes

**Operating Temp**  
45°C

AVAILABLE FINISHES

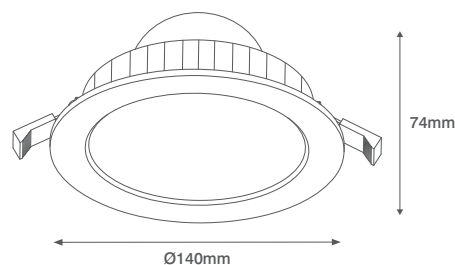


COLOUR TEMPERATURE

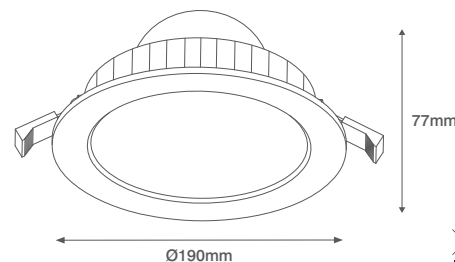


CODE	DESCRIPTION
SDAL2008-15C	15W 140mm Diameter Downlight - 6000K - White
SDAL2008-25C	25W 190mm Diameter Downlight - 6000K - White

SDAL2008-15C 120mm Diameter Cut-Out



SDAL2008-25C 170mm Diameter Cut-Out



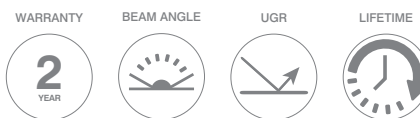
COMMERCIAL | DOWNLIGHTS

MIDDLE EAST  
1803 Lake Central Tower, Business Bay, Dubai, UAE  
E: sales@scolmoredubai.com T: +971 4589 6552  
scolmoredubai.com



UNITED KINGDOM  
Scolmore House, Mariner,  
Lichfield Road Ind. Est. Tamworth B79 7UL  
oviaUK.com

## COMMERCIAL DRIVERS



SDOVCG12W4K (6)	50mm x 25mm x 20mm
SDOVCG12W6.5K (7)	50mm x 25mm x 20mm
SDOVCG18W4K (8)	50mm x 25mm x 20mm
SDOVCG18W6.5K (9)	50mm x 25mm x 20mm
SDOVCG24W4K (10)	50mm x 25mm x 20mm
SDOVCG24W6.5K (11)	50mm x 25mm x 20mm
SDOVCG30W(5)	85mm x 36mm x 21mm
SDOVCG36W4K(1)	131mm x 38mm x 28mm
SDOVCG36W6K(2)	131mm x 38mm x 28mm
SDOVCG40W4K(3)	95mm x 42mm (D) x 25mm
SDOVCG40W6K(4)	95mm x 42mm (D) x 25mm

COMMERCIAL | ACCESSORIES

### MIDDLE EAST

1803 Lake Central Tower, Business Bay, Dubai, UAE  
E: sales@scolmoredubai.com T: +971 4589 6552  
scolmoredubai.com



### UNITED KINGDOM

Scolmore House, Mariner,  
Lichfield Road Ind. Est. Tamworth B79 7UL  
oviaUK.com



# INDUSTRIAL LIGHTING



[www.scolmoredubai.com](http://www.scolmoredubai.com)



# MELI STONE

**MIDDLE EAST**

1803 Lake Central Tower, Business Bay, Dubai, UAE  
E: [sales@scolmoredubai.com](mailto:sales@scolmoredubai.com) T: +971 4589 6552  
[scolmoredubai.com](http://scolmoredubai.com)

**scolmore**  
DUBAI

**UNITED KINGDOM**

Scolmore House, Mariner,  
Lichfield Road Ind. Est. Tamworth B79 7UL  
[oviaUK.com](http://oviaUK.com)



# MELI STONE

## LED IP65 Highbay

Fittings are available in 100W, 150W, 200W & 300W versions. All come in a Black Finish with a Daylight Colour Temperature.



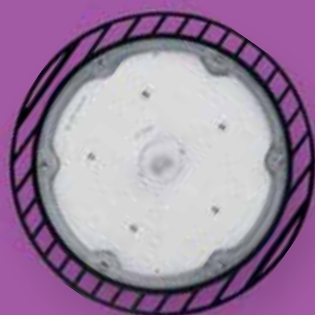
110°  
Beam Angle



25,000  
Hour Lifetime

### 3 Sizes Available

This versatile highbay is suitable for various applications with 3 different sizes available.



300mm



265mm



225mm

INDUSTRIAL | HIGHBAY

**MIDDLE EAST**

1803 Lake Central Tower, Business Bay, Dubai, UAE  
E: sales@scolmoredubai.com T: +971 4589 6552  
scolmoredubai.com



**UNITED KINGDOM**

Scolmore House, Mariner,  
Lichfield Road Ind. Est. Tamworth B79 7UL  
oviaUK.com



## MELI STONE

LED Highbay IP65



SDHL11-100W6.5K SDHL11-150W6.5K SDHL11-200W6.5K

### CCT (K)

6500K

### Wattage

100W 150W 200W

### Lumens

10000lm 15000lm 20000lm

### Efficacy (Lm/W)

100lm/W

### CRI

> 70

### Beam Angle

110°

### LED Lifetime

25,000 Hours

### Voltage

220-240V~

### Frequency

50/60Hz

### Dimmable

No

### Operating Temp

-25°C - +45°C

### AVAILABLE FINISHES



### COLOUR TEMPERATURE



### CODE

SDHL11-100W6.5K

SDHL11-150W6.5K

SDHL11-200W6.5K

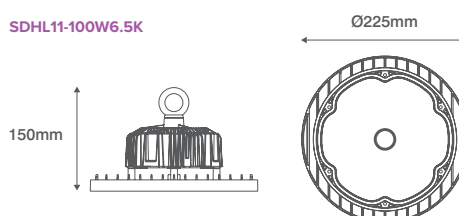
### DESCRIPTION

100W LED Highbay - 6500K - Black

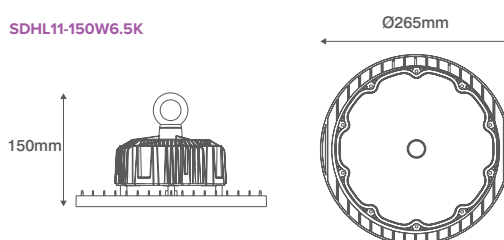
150W LED Highbay - 6500K - Black

200W LED Highbay - 6500K - Black

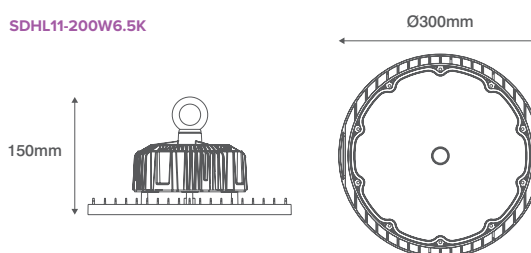
### SDHL11-100W6.5K



### SDHL11-150W6.5K



### SDHL11-200W6.5K



### MIDDLE EAST

1803 Lake Central Tower, Business Bay, Dubai, UAE  
E: sales@scolmoredubai.com T: +971 4589 6552  
scolmoredubai.com



### UNITED KINGDOM

Scolmore House, Mariner,  
Lichfield Road Ind. Est. Tamworth B79 7UL  
oviaUK.com

# FLOOD LIGHTING



[www.scolmoredubai.com](http://www.scolmoredubai.com)



# MELI FLOOD

**MIDDLE EAST**  
1803 Lake Central Tower, Business Bay, Dubai, UAE  
E: [sales@scolmoredubai.com](mailto:sales@scolmoredubai.com) T: +971 4589 6552  
[scolmoredubai.com](http://scolmoredubai.com)

**scolmore**  
DUBAI

**UNITED KINGDOM**  
Scolmore House, Mariner,  
Lichfield Road Ind. Est. Tamworth B79 7UL  
[oviaUK.com](http://oviaUK.com)

# MELI FLOOD

## IP65 LED Floodlight

Available in 50W, 100W, 150W & 200W versions. The Meli Flood comes in a Black finish and has a 6500K colour temperature, perfect for outdoor settings.



## Prewired Flylead

The Meli Flood comes with a Prewired 150mm Flylead.

## 4 Sizes Available

4 different sizes and wattages available.



110°  
Beam Angle



25,000  
Hour Lifetime

FLOODLIGHTING | FLOODLIGHTS

**MIDDLE EAST**  
1803 Lake Central Tower, Business Bay, Dubai, UAE  
E: sales@scolmoredubai.com T: +971 4589 6552  
scolmoredubai.com

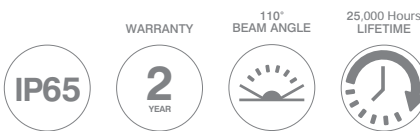


**UNITED KINGDOM**  
Scolmore House, Mariner,  
Lichfield Road Ind. Est. Tamworth B79 7UL  
oviaUK.com



## MELI FLOOD

50W & 100W LED Floodlight IP65



SDLG187-50W5LM

SDLG187-100W10LM

### CCT (K)

6500K

### Wattage

50W

100W

### Lumens

5000lm

10000lm

### Efficacy (Lm/W)

100lm/W

### CRI

>80

### Beam Angle

110°

### LED Lifetime

25,000 Hours

### Voltage

220-240V~

### Frequency

50/60Hz

### Dimmable

No

### Operating Temp

-25°C - +40°C

AVAILABLE FINISHES



COLOUR TEMPERATURE



Prewired with 150mm flylead

CODE

DESCRIPTION

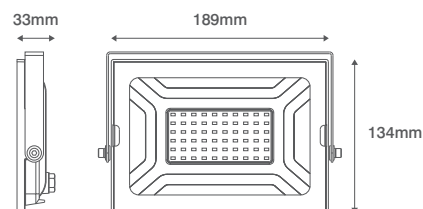
SDLG187-50W5LM

50W Floodlight - 6500K - Black

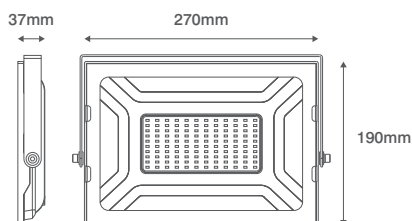
SDLG187-100W10LM

100W Floodlight - 6500K - Black

SDLG187-50W5LM



SDLG187-100W10LM



PRODUCT APPROVALS

BS EN 60598-1 BS EN 60598-2-1 BS EN 60598-2-5 BS EN 62493 BS EN 62471 BS EN 55015  
BS EN 61547 BS EN 61000-3-2 BS EN 61000-3-3



#### MIDDLE EAST

1803 Lake Central Tower, Business Bay, Dubai, UAE  
E: sales@scolmoredubai.com T: +971 4589 6552  
scolmoredubai.com



#### UNITED KINGDOM

Scolmore House, Mariner,  
Lichfield Road Ind. Est. Tamworth B79 7UL  
oviaUK.com



## MELI FLOOD

150W & 200W LED Floodlight IP65



SDLG187-150W15LM    SDLG187-200W20LM

AVAILABLE FINISHES

COLOUR TEMPERATURE



CCT (K)

6500K

Wattage

150W

200W

Lumens

15000lm

20000lm

Efficacy (Lm/W)

100lm/W

CRI

>80

Beam Angle

110°

LED Lifetime

25,000 Hours

Voltage

220-240V~

Frequency

50/60Hz

Dimmable

No

Operating Temp

-25°C - +40°C

Prewired with 150mm flylead

CODE

DESCRIPTION

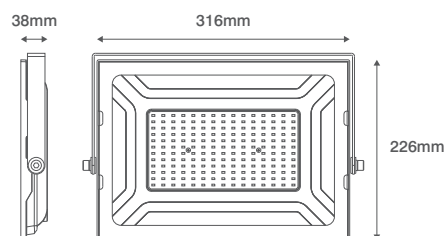
SDLG187-150W15LM

150W Floodlight - 6500K - Black

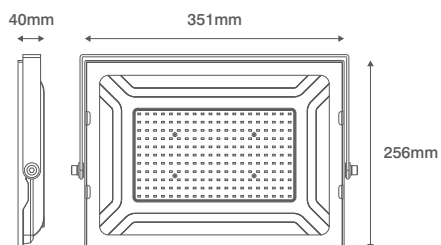
SDLG187-200W20LM

200W Floodlight - 6500K - Black

SDLG187-150W15LM



SDLG187-200W20LM



PRODUCT APPROVALS

BS EN 60598-1 BS EN 60598-2-1 BS EN 60598-2-5 BS EN 62493 BS EN 62471 BS EN 55015  
BS EN 61547 BS EN 61000-3-2 BS EN 61000-3-3



FLOODLIGHTING | FLOODLIGHTING

MIDDLE EAST

1803 Lake Central Tower, Business Bay, Dubai, UAE  
E: sales@scolmoredubai.com T: +971 4589 6552  
scolmoredubai.com



UNITED KINGDOM

Scolmore House, Mariner,  
Lichfield Road Ind. Est. Tamworth B79 7UL  
oviaUK.com

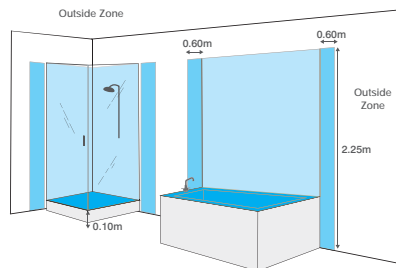
A hand is pointing at a technical drawing on a blue background. The drawing consists of various lines, rectangles, and text, typical of a technical or architectural plan. The hand is positioned on the right side of the image, with the index finger pointing towards the center of the drawing. The background is a solid blue color with a slight gradient.


# TECHNICAL SUMMARY



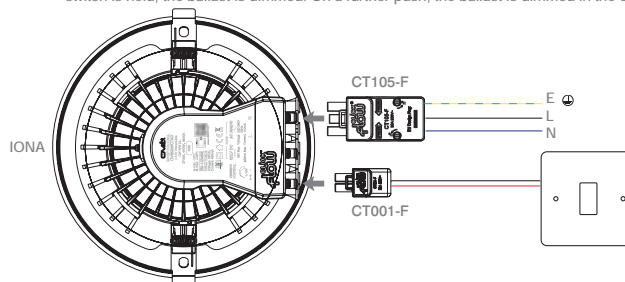
<b>(AC) ALTERNATING CURRENT</b>	AC current is the format that Mains electricity is supplied in. Alternating Current is the movement or flow of electric charge that periodically changes direction.
<b>ACCENT LIGHTING</b>	Accent lighting is used to highlight particular areas or artefacts.
<b>AISI316L STAINLESS STEEL</b>	316L is a low carbon content grade of Stainless Steel, that has excellent corrosion resistance properties, also known as Marine Grade due to its corrosion resistance. All Stainless Steel requires a degree of maintenance to ensure its appearance does not tarnish over time.
<b>AMBIENT LIGHTING</b>	The level of background light, which is usually low and supplemented by Task or Accent lighting.
<b>AMBIENT TEMPERATURE</b>	The temperature of the air that surrounds the fixture in the room, ambient temperature is very important when selecting a fixture especially in extreme temperature environments.
<b>ANTI-LIGATURE</b>	An anti-ligature luminaire or appliance is one that is specifically designed to be free from points to which a cord or cord like object could be attached, tied to or looped around.
<b>ASYMMETRIC DISTRIBUTION</b>	A non-symmetric distribution of light, for example the luminous intensity (light output) may be more pronounced in one direction, this is commonly found on floodlights to allow them to be aimed downwards, keeping unwanted upward light spillage to a minimum.
<b>AZIMUTH</b>	Orientation angle in the horizontal plane, most commonly referred to in floodlighting schemes.
<b>BATHROOM ZONES</b>	There are a number of special requirements for fitting lights in bathrooms and to clarify these requirements, certain Zones have been created. Within each of these Zones only fittings with certain minimum IP ratings can be installed. The basic recommendations are set out below. Bathroom luminaire installations must comply with legislation; please refer to the latest building regulations.
<b>*NOTE – THE AREA UNDER THE BATH IS CLASSED AS AN OUTSIDE ZONE PROVIDING THERE IS A BATH PANEL IN SITU WHICH CAN ONLY BE REMOVED WITH AID OF A TOOL.</b>	<p><b>ZONE 0: MINIMUM REQUIREMENT IPX7</b> Zone 0 is the interior of the bath tub or shower basin. Only Low voltage (SELV) fittings are permitted with the transformer located outside all zones.* *unless transformer is IPX7 too.</p> <p><b>ZONE 1: MINIMUM REQUIREMENT IPX4</b> Zone 1 is the area around the bath or shower basin up to a height of 2.25m above floor levels and at a radius of 1.2m from the water outlet. If there is a likelihood of water jets being used for cleaning purposes, then this becomes a minimum requirement of IPX5.</p> <p><b>ZONE 2: MINIMUM REQUIREMENT IPX4</b> Zone 2 is limited by the vertical planes external to zone 1 and parallel vertical planes(s) 0.60m external to zone 1. If there is a likelihood of water jets being used for cleaning purposes, then this becomes a minimum requirement of IPX5. For showers without a basin, there is no zone 2 but an increased zone 1.</p> <p><b>IMPORTANT</b> Protection for all electrical fixtures within the bathroom and shower should be provided by the use of an RCD with a rated residual current not exceeding 30mA and an operating time not exceeding 40ms.</p>

- Zone 0 - Minimum IPX7 can be used
- Zone 1 - Minimum IPX4 can be used
- Zone 2 - Minimum IPX4 can be used
- Outside Zone - Minimum IPX2 can be used



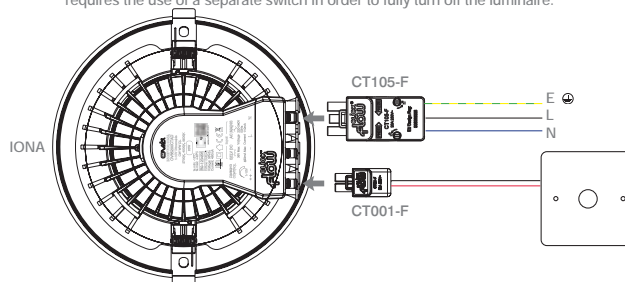
<b>BALLAST</b>	The ballast is a device used to operate lamps, while limiting and regulating the lamp current during operation it provides the necessary voltage to the lamp.
<b>BEAM ANGLE</b>	Measurement of how light is distributed.
<b>BINNING (LED)</b>	Binning is the process of methodically sorting and grouping LED's according to measured parameters (normally colour and lumens). Allowing design engineers to systematically specify an LED and the manufacturer to order LED's that function consistently. Binning also makes it possible to re-order LED's that match the original.
<b>BRIGHTNESS</b>	What the eye actually sees, not to be confused with luminance, which is what a light meter reads.
<b>BSI</b>	<p>British Standards Institute, the UK National Standards Body - <a href="http://www.bsigroup.com">www.bsigroup.com</a></p> <p>Key Standards applicable include</p> <ul style="list-style-type: none"> <li>BS 476 part 21 Fire test for building Materials</li> <li>BS 5225 Photometric Data for Luminaires</li> <li>BS 5266 Code of practice for Emergency Lighting</li> <li>BS7671 Requirements for Electrical Installations (Wiring Regulations)</li> <li>BS EN 60570 Track systems for Luminaires</li> <li>BS EN 60598-1 Luminaires - General requirements and tests</li> <li>BS EN 60598-2-2 Luminaires – Specific requirements, Recessed Luminaires</li> <li>BS EN 60598-2-5 Luminaires – Specific requirements, Floodlights</li> <li>BS EN 60598-2-6 Luminaires – Specific requirements, In-built Transformers</li> <li>BS EN 60598-2-22 Luminaires - Specific requirements, Emergency Lighting</li> <li>BS EN 61047 Electronic Transformers</li> </ul>
<b>BUILDING REGULATIONS</b>	Legal requirements for the installer to abide by when installing equipment into a building. There are standards for Domestic and Non-Domestic premises and there are variations in the different countries of the UK. With specific regards to Lighting; Part L covers the requirements for lighting a building with specific sections covering commercial and domestic applications. Another set of useful documents to aid in compliance to these regulations are the Domestic and Commercial Building Compliance guides.
<b>CANDELA (CD)</b>	The candela is the SI base unit for luminous intensity, used to measure the brightness of light sources.
<b>CAPACITOR</b>	Often used for power factor correction and lamp regulation, a capacitor is a component that stores electrical energy.
<b>CCT</b>	Correlated Colour Temperature defines the colour appearance of a white LED. CCT is defined in Kelvin.
<b>CE</b>	European Community conformity mark. CE denotes that the item conforms with the requirements of relevant EU Directives.
<b>CIBSE</b>	The Chartered Institute of Building Services Engineers. <a href="http://www.cibse.org">www.cibse.org</a> . The Society of Light and Lighting (a division of CIBSE), publishes many Lighting Guides widely used as references for the choice of luminaire and recommended Illuminance level most suitable for a specific area.
<b>CLASS I</b>	 Luminaires in this class are electrically insulated and are provided with a connection with earth.

<b>CLASS II</b>		Luminaires in this class are designed and constructed so that protection against electric shock does not rely on basic insulation only. This can be achieved by means of reinforced or double insulation. No provision for Earthing is provided.
<b>CLASS III</b>		Protection against electric shock relies on the supply of Safety Extra Low Voltage (SELV) and in which voltages higher than those of SELV are not generated (Max.50V AC or below).
<b>COLOUR RENDERING INDEX (CRI / CIE RA)</b>		The ability of a light source to accurately reveal the colours of an object(s) is measured using a system called the colour rendering index (CRI). It is given as an integer up to 100; the higher the number the better. 100 being considered as presenting colours in a manner consistent with a natural light source such as daylight. Halogen lamps typically have a CRI of 100 as they closely mimic daylight.
<b>CCT - CORRELATED COLOUR TEMPERATURE</b>		Typically shortened to "Colour Temperature" measures the apparent colour of a white light source in Kelvin (K). Typically in lighting, values range between 2700K - 6500K. Although it might seem counter-intuitive; lower figures denote "warmer" colour temperatures and higher figures denote "cooler" colour temperatures. Ovia® Lighting defines Warm White as 2700K-3000K, Cool White as 4000K & Daylight as 6500K.
<b>CORRIDOR FUNCTION</b>		Corridor Function is a setting for operation with a MS/PIR which allows the light output to be reduced to approx 10/15% when an area is left unoccupied and increases to full output when the MS/PIR is activated.
<b>CONTINUED PROFESSIONAL DEVELOPMENT 'CPD'</b>		Ovia® has several training courses that are CPD Certified to complement the Continuing Professional Development policies of professional institutes and academic bodies.
<b>CTA - COLOUR TEMPERATURE ADJUSTABLE</b>		Certain products in the Ovia® range feature a switch for altering the colour temperature (CCT) of the product. This feature allows the installer to select the colour temperature of the product to suit different installation requirements. Where this feature exists on a product you will see this term.
<b>DATA SHEETS</b>		Available for Ovia® products to enable Operation and Maintenance manuals to be completed.
<b>(DC) DIRECT CURRENT</b>		As opposed to AC; DC current flows in a single direction. Current and voltage may increase & decrease but the direction of movement of electrons stays the same. LED's inherently must run on a DC supply hence a transformer of some kind is always required.
<b>DIMMERS &amp; DIMMING</b>		The process of decreasing and increasing the level of light output by a luminaire or light source. Most luminaires that are required to be dimmed will need a special control gear for this operation and typically additional circuit wiring. Each dimming method, whether mains, switch-dim or 1-10V dimming require different, specific control gear.
<b>DIMMING LEADING EDGE (TRIAC DIMMER)</b>		In Mains dimming, leading-edge dimmers cut the first half of the wave to restrict the flow of current. These dimmers typically have a high minimum load and were originally used to dim incandescent and halogen lamps. As such, issues with dimming LED using these types of dimmers can be common.
<b>DIMMING MAINS</b>		The process of manipulating mains voltage to variably restrict the flow of electricity in order to decrease or increase light levels, respectively.
<b>DIMMING SWITCH DIM</b>		Operation for ON / OFF and dimming by means of a push-to make (retractive) switch, and is the simplest form of dimming. A brief operation of the switch (<0.6sec), will switch ON or OFF. When the push to make switch is held, the ballast is dimmed. On a further push, the ballast is dimmed in the opposite direction.



**DIMMING TRAILING EDGE** Conversely to leading-edge dimmers, trailing-edge dimmers restrict current by cutting the second half of the wave. They generally have a much lower minimum load and are typically better-suited to LED loads.

**DIMMING 1-10V** 1-10V dimming (similarly 0-10V dimming) is achieved with a control gear which features a separate and specific dimming control connection to which a 1-10V dimmer can be connected. This method generally requires the use of a separate switch in order to fully turn off the luminaire.

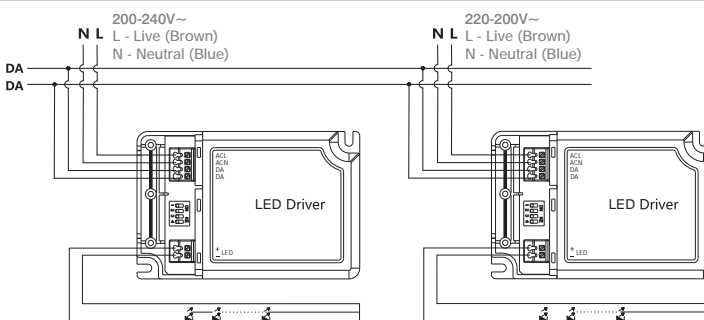


**DALI DRIVER - WIRING INSTRUCTIONS**

- The driver output is pre-wired with a female DC connector which enables direct connection to the Ovia® LED panels.
- The DALI control line voltage range is 9.5V to 22.5V with the cable distance being dependent on the cable size used, see Table A below.
- Up to 64 drivers can be connected to one DALI control line.
- The two DALI control lines are polarity reversible.

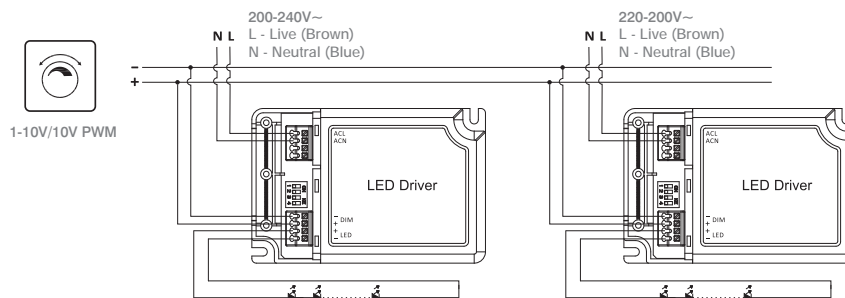
**TABLE A**

2 x 0.50mm <sup>2</sup>	100M Max.
2 x 0.75mm <sup>2</sup>	150M Max.
2 x 1.00mm <sup>2</sup>	200M Max.
2 x 1.50mm <sup>2</sup>	300M Max.



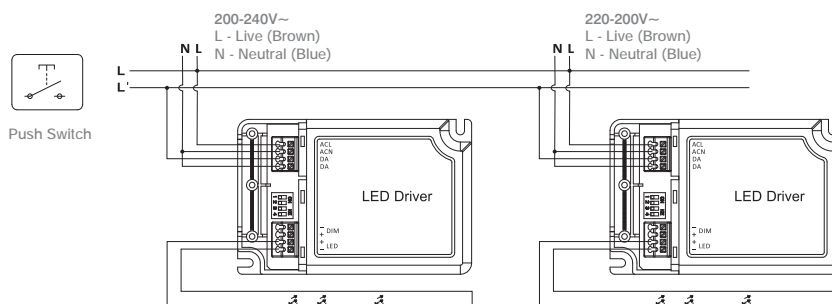
**DALI DRIVER - WIRING INSTRUCTIONS (1-10V/10V PWM)**

- The number of drives and the length of wire connections are determined by the following factors:
  - a.) Current output capacity of the dimmer.
  - b.) The interface of the driver consumes current, this product is less than 1mA.
  - c.) The size of the connection wire, and is recommended to use less than 0.75mm<sup>2</sup>.
  - d.) Install environment interference, avoid wiring with high voltage or interference source.
- It is recommended to use a dimmer with active, isolated and strong output current capacity. This product cannot use a non-isolation dimmer.
- Synchronisation up to 16 drivers.
- Maximum cable length between each unit: 20 meters.



**DALI DRIVER - WIRING INSTRUCTIONS (SWITCH/PUSH DIMMING)**

- Turning On or Off: press the PUSH switch for 0.2-1s (Short Press)
  - Dimming: press and hold the PUSH switch for 1-5s (Long Press)
  - Power On Status: after power On, the light will light up the memory brightness it was last previously set (not Off status)
- Multiple Lights Synchronise Control Operation
- Step 1: long press the PUSH switch, confirm each light is on.
  - Step 2: short press the PUSH switch, confirm each light is off.
  - Step 3: long press the PUSH switch, confirm each light is from darkest to brightest and all the lights are synchronous.



**DIRECT LIGHTING**

Lighting in which the greater part of the luminous flux from the luminaires reaches the surface (usually the working plane) directly, i.e. without reflection from surrounding surfaces.

**DIRECTIONAL LIGHTING**

Lighting a display object predominately from one direction.

**DLOR**

Downward Light Output Ratio is the ratio of the total light output of a luminaire below the horizontal.

**DOUBLE INSULATION**

Also referred to as Class II, double Insulation comprises both basic insulation and supplementary insulation.

**EDGE LIT**

This means that the LED chips are positioned vertically around the perimeter of the product. Providing an excellent uniform illuminated panel in a fixture as slim as 8mm.

**EFFICIENCY**

Ratio of power supplied to wattage dissipated.

**EFFICACY**

A metric term used to compare light output to energy consumption. Luminous Efficacy is measured in lumens per watt.

**EMC**

Electromagnetic Compatibility. Electrical items produce unintentional interference so EMC ensures these levels are within the required guidelines and should not cause unwanted interference with other equipment.

**EMERGENCY LIGHTING**

Lighting provided for use in emergency situations when the main lighting installation fails, enabling safe exit from a building.

**EMERGENCY LIGHTING TEST**

Testing an Emergency Lighting Installation should undergo regular periodic testing to ensure the luminaires are correctly functioning and to maintain the condition of the batteries. The testing should be recorded in a log book and follow this schedule...

- Daily – visual check that the charge indicator LED is illuminated
- Monthly – a functional test that the luminaire operates when mains supply is disconnected
- Annually – as monthly test but for the full rated duration of the luminaire (3hrs).

**ENERGY LABEL**

Lighting products, as well as other electrical appliances, come with energy labels and information printed on the product. The rating system ranges from A++ (the most efficient) to E (the least efficient).

**ESCAPE ROUTE LIGHTING**

Emergency lighting is illuminated in the instance of a mains lighting failure, provided on a defined route to ensure means of escape from a designated point in a building to the exit.

**MIDDLE EAST**

1803 Lake Central Tower, Business Bay, Dubai, UAE  
 E: sales@scolmoredubai.com T: +971 4589 6552  
 scolmoredubai.com



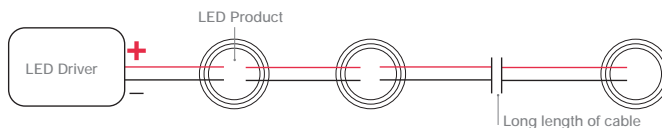
**UNITED KINGDOM**

Scolmore House, Mariner,  
 Lichfield Road Ind. Est. Tamworth B79 7UL  
 oviaUK.com

<b>FIRE-RATED</b>	In Lighting, a Fire-Rated luminaire is one which has been specifically designed to uphold the fire-rating of the surface it is installed into. Generally of recessed type such as a downlight, these luminaires are designed to restrict the passage of flames and hot air through a perforation in the ceiling. Fire-Ratings of downlights are acquired & stated in increments of 30 minutes. A fire-rated luminaire should be chosen to be in-line with that of the installation surface itself.																																
<b>FLICKER</b>	Light modulation at lower frequencies (about 50 Hz or less) which is visible to most people, is called flicker. The eye is particularly sensitive to flicker and it is especially detectable at the edges of the visual system's field of view. Flicker can, depending on individual sensitivity, be a source of both discomfort and fatigue. It may even cause epileptic seizures in some people. Therefore it needs to be avoided.																																
<b>FLOW™</b>	Flow™ Connectors make wiring a lighting circuit easy. Quick and easy to install as well as to remove and replace for the purpose of circuit testing.																																
<b>FLUX</b>	In Lighting: Flux or Luminous Flux, measured in lumens, is the amount of light produced by a light source or received by a surface.																																
<b>FREQUENCY</b>	In lighting and electrics; the rate of alternation in an AC current, expressed in cycles per second or hertz (Hz).																																
<b>GENERAL LIGHTING</b>	Lighting that is designed to illuminate the whole of an area uniformly without provision for special local requirements.																																
<b>GLARE</b>	Refers to the unwanted dazzling effect of bright light. The severity of glare can be anywhere from causing discomfort to the inability to perform tasks. Some luminaires include opal diffusers or reflectors to provide an anti-glare function.																																
<b>HAZARDOUS AREA</b>	An environment where a risk of fire or explosion exists. Commonly referred to as Zone 1, Zone 2 etc. (Not to be confused with the Zones of space in bathroom areas).																																
<b>HERTZ (HZ)</b>	Cycles (frequency) per second.																																
<b>HIGH RISK TASK AREA</b>	A requirement within Emergency Escape Lighting, ensuring the safety of people involved in a potentially dangerous process or situation and to enable proper shut down procedures for the safety of the operator and all occupants of the premises.																																
<b>HIGH POWER LED</b>	An LED that is driven at a current of 350mA or higher.																																
<b>ILLUMINANCE</b>	This can be calculated or measured with a light meter, illuminance is a photometric term that quantifies the light on a surface or plane, it is expressed in lumens per m <sup>2</sup> (lux).																																
<b>ILLUMINATION</b>	The density of luminous flux on a surface, this parameter shows how bright the surface point appears to the human eye.																																
<b>INDIRECT LIGHTING</b>	Some luminaires by their design offer indirect lighting, it is a system where light is reflected from a primary surface, before reaching the working/task plane.																																
<b>IP RATINGS CLASSIFICATION OF INGRESS PROTECTION</b>	<p>IP followed by two numerals indicates the degree of protection. The first numeral indicates the degree of protection against the ingress of solid objects, while the second numeral refers to the degree of protection against the ingress of water.</p> <table border="0"> <tr> <td>Protection Against Solid Objects</td> <td>Protection Against ingress of Water</td> </tr> <tr> <td>IP20 Greater than 12mm</td> <td>Non-protected</td> </tr> <tr> <td>IP21 Greater than 12mm</td> <td>Dripping water</td> </tr> <tr> <td>IP22 Greater than 12mm</td> <td>Dripping water (up to 15° angle)</td> </tr> <tr> <td>IP23 Greater than 12mm</td> <td>Spraying water (up to 60° angle)</td> </tr> <tr> <td>IP40 Greater than 1mm</td> <td>Non-protected</td> </tr> <tr> <td>IP43 Greater than 1mm</td> <td>Spraying water (up to 60° angle)</td> </tr> <tr> <td>IP44 Greater than 1mm</td> <td>Splashing water</td> </tr> <tr> <td>IP54 Dust-protected</td> <td>Splashing water</td> </tr> <tr> <td>IP55 Dust-protected</td> <td>Water jets</td> </tr> <tr> <td>IP64 Dust-tight</td> <td>Splashing water</td> </tr> <tr> <td>IP65 Dust-tight</td> <td>Water jets</td> </tr> <tr> <td>IP66 Dust-tight</td> <td>Powerful water jets</td> </tr> <tr> <td>IP67 Dust-tight</td> <td>Water immersion</td> </tr> <tr> <td>IP68 Dust-tight</td> <td>Submersion to declared depth</td> </tr> <tr> <td>IP69 Dust-tight</td> <td>Powerful high temperature water jets</td> </tr> </table>	Protection Against Solid Objects	Protection Against ingress of Water	IP20 Greater than 12mm	Non-protected	IP21 Greater than 12mm	Dripping water	IP22 Greater than 12mm	Dripping water (up to 15° angle)	IP23 Greater than 12mm	Spraying water (up to 60° angle)	IP40 Greater than 1mm	Non-protected	IP43 Greater than 1mm	Spraying water (up to 60° angle)	IP44 Greater than 1mm	Splashing water	IP54 Dust-protected	Splashing water	IP55 Dust-protected	Water jets	IP64 Dust-tight	Splashing water	IP65 Dust-tight	Water jets	IP66 Dust-tight	Powerful water jets	IP67 Dust-tight	Water immersion	IP68 Dust-tight	Submersion to declared depth	IP69 Dust-tight	Powerful high temperature water jets
Protection Against Solid Objects	Protection Against ingress of Water																																
IP20 Greater than 12mm	Non-protected																																
IP21 Greater than 12mm	Dripping water																																
IP22 Greater than 12mm	Dripping water (up to 15° angle)																																
IP23 Greater than 12mm	Spraying water (up to 60° angle)																																
IP40 Greater than 1mm	Non-protected																																
IP43 Greater than 1mm	Spraying water (up to 60° angle)																																
IP44 Greater than 1mm	Splashing water																																
IP54 Dust-protected	Splashing water																																
IP55 Dust-protected	Water jets																																
IP64 Dust-tight	Splashing water																																
IP65 Dust-tight	Water jets																																
IP66 Dust-tight	Powerful water jets																																
IP67 Dust-tight	Water immersion																																
IP68 Dust-tight	Submersion to declared depth																																
IP69 Dust-tight	Powerful high temperature water jets																																
<b>INITIAL LUMENS</b>	Lumen output of a light source once it has stabilised but before it begins to depreciate. For LED's this begins at around 100 hours of operation from manufacture.																																
<b>INPUT VOLTAGE</b>	Voltage provided to a ballast/luminaire by the power supply.																																
<b>INRUSH CURRENT</b>	A typically very high but short-lived current produced when initially activating an electric circuit.																																
<b>ISOLUX DIAGRAM</b>	A diagram showing contours of equal illuminance. Can be used to determine the direct illuminance on a plane.																																
<b>KELVIN</b>	The SI unit for the measurement of temperature. In Lighting it is used to describe the colour temperature (CCT) of a light source.																																
<b>KWH</b>	The kilowatt-hour (symbolised kWh) is a unit of energy equivalent to one kilowatt of power expended for one hour of time. This figure is required to complete energy comparison calculations.																																
<b>LAMP</b>	A device which converts electrical energy into light.																																
<b>LED</b>	Light-emitting Diode. An LED is a solid-state semiconductor device that converts electrical energy directly into light.																																
<b>LED DRIVER / CONVERTER</b>	A device that accepts an input voltage and current and translates/transforms it to a different predetermined and controlled voltage and current. The resulting output then used to power or "drive" an LED circuit.																																

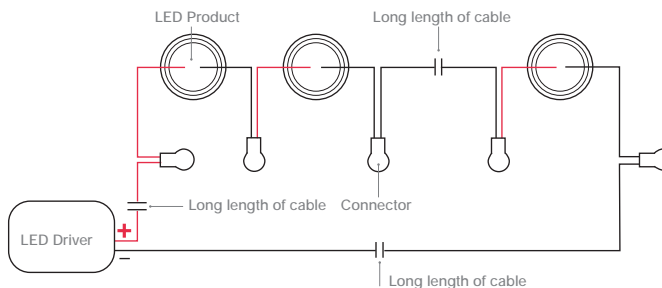
### LED PARALLEL WIRING

Parallel wiring means that each component has the same supply voltage and all fittings on the circuit will have the same voltage across the luminaire terminals. The battery current (Amps) is divided by the number of luminaires on the circuit. If one luminaire fails then the remaining fittings on that circuit will stay lit.



### LED SERIES WIRING

Series wiring means that each component has the same current and the battery voltage is divided by the number of luminaires on the circuit. If one luminaire fails then the remaining fittings on that circuit will not stay lit. Please note that incorrect wiring of an LED can result in irreparable damage to the LED and associated power supplies.



### LED WHITE

Previously, the only way to produce white LED light was by the additive colour mixing of the three basic colours using so-called multi LED, i.e., three semiconductor chips (red, green and blue LED) had to be combined. Today, manufacturers can produce white LED light with only a single chip. In luminescence conversion, only a blue LED is used, whose light stimulates a luminescent substance that emits yellow light, the system produces the colour white. Depending on the composition of the luminescent substance, various white tones can be achieved such as warm white, cool white etc.

### LIA



Ovia® Lighting is an accredited member of this leading UK trade organisation. All Ovia® manufacturing facilities are audited on an annual basis to ensure compliance and quality. [www.thelia.org.uk](http://www.thelia.org.uk)

### LIGHTING DESIGN

Ovia® offer a lighting design service provided by a team of vastly experienced and industry qualified staff. A simple to complete form is available to ensure designs are prepared with all of the correct criteria taken into consideration. Contact us for more information.

### LIGHT METER

Lux meter or exposure meter. A device use for the measurement of light intensity. This should have a cosine corrected sensor, usually a convex shape, to measure light falling on to it from all directions and a digital readout for accuracy.

### LIGHT SPILLAGE/TRESPASS

Unwanted or nuisance light which is spilled beyond the boundary of the illuminated property or area.

### LM/W

Lm/W (Lumens per Watt) is the measurement of the effectiveness of a lighting system to convert power to light. Also known as the "Efficacy" of the system. There are two key elements to Efficacy; Lumens per watt (generally pertaining to the efficacy of a lamp or light source) and Luminaire Lumens per watt (the efficacy of the whole luminaire). The difference between the two terms occurs where a lamp or light source may differ once it is housed in a luminaire. For example if a 100W lamp outputs 2000Lm it has an efficacy of 20Lm/W. However if that lamp was housed in a luminaire which restricted the output of that lamp to 1000Lm (effectively giving it an LOR of 0.5) the Luminaire lumens per watt becomes 10Lm/W. In calculations, particularly in reference to Part-L calculations, the term may be written as Lumens per circuit watt or Luminaire lumens per circuit watt.

### LOR

Light Output Ratio. The ratio of the total light output of a luminaire under stated conditions to that of the lamp or lamps under reference conditions. The higher the figure, the more efficient the luminaire is. LOR may consist of any ratio of DLOR and/or ULOR.

### LUMEN

Standard unit of luminous flux. Describes the quantity of light emitted by a light source or received by a surface.

### LUMEN DEPRECIATION

Figures published refer to the L50, L70 or L80 classification system where the number relates to the percentage of light output. So a 30,000hr L70 LED would be expected to have 70% of its rated output at 30,000hrs.

### LUMINANCE

The physical measure of brightness measured by the luminous intensity of the light emitted or reflected in a given direction from a surface element divided by the area of the element in the same direction. The SI unit of luminance is the candela per square metre (Cd/m<sup>2</sup>) It is very difficult to determine other than with a luminance meter.

### LUMINOUS EFFICIENCY

The ratio of the luminous flux emitted by a lamp to the power consumed by the lamp. When the power consumed by the control gear is taken into account this term is sometimes known as lamp circuit luminous efficacy and is expressed in lumens/circuit watts.

### LUX

The metric unit of measure for illuminance of a surface. One lux is equal to one lumen per metre-squared.

### LVD

Low Voltage Directive ensures that electrical equipment within certain voltage limits provides a high level of protection for European citizens, and benefits fully from the Single Market.

### MAINTAINED LUMINAIRE

A luminaire containing one or more lamps all of which operate from the normal supply or from the emergency supply when required.

### MFD

3 in 1 Multi-function Dimmable constant current LED driver that can be incorporated into a 1-10V, Switch Dim or DALI control system. It also has universal load settings so that a single driver will be compatible with a range of fittings.

### MICROWAVE SENSOR (MS)

Microwave Sensor (MS) Sophisticated presence detector that uses low power Microwave signals which are then reflected by moving persons and measured using the "Doppler effect" method. Special consideration should be given to using microwave sensor outdoors.

### 3EM

Maintained 3 hour, Mode and duration (minimum with fully charged batteries) of an Emergency luminaire. To ensure the full duration is achieved, Emergency luminaires must be correctly maintained to condition the batteries.

### NIGHT LIGHT (NL)

A light source used only to provide low levels of illumination at night, for security or safe movement of persons. This may either be a standalone luminaire or an option incorporated within a luminaire used for general lighting. Low wattage compact fluorescent lamps are ideal for this application.

### NICD

The nickel-cadmium battery (NiCd battery or NiCad battery) is a type of rechargeable battery using nickel oxide hydroxide and metallic cadmium as electrodes. The abbreviation Ni-Cd is derived from the chemical symbols of nickel (Ni) and cadmium (Cd).

### NIMH LITHIUM

A nickel-metal hydride battery, abbreviated NiMH or Ni-MH, is a type of rechargeable battery. Its chemical reactions are somewhat similar to the largely obsolete nickel-cadmium cell (NiCd). NiMH use positive electrodes of nickel oxyhydroxide (NiOOH), like the NiCd, but the negative electrodes use a hydrogen-absorbing alloy instead of cadmium, being in essence a practical application of nickel-hydrogen battery chemistry. A NiMH battery can have two to three times the capacity of an equivalent size NiCd, and their energy density approaches that of a lithium-ion cell.

#### MIDDLE EAST

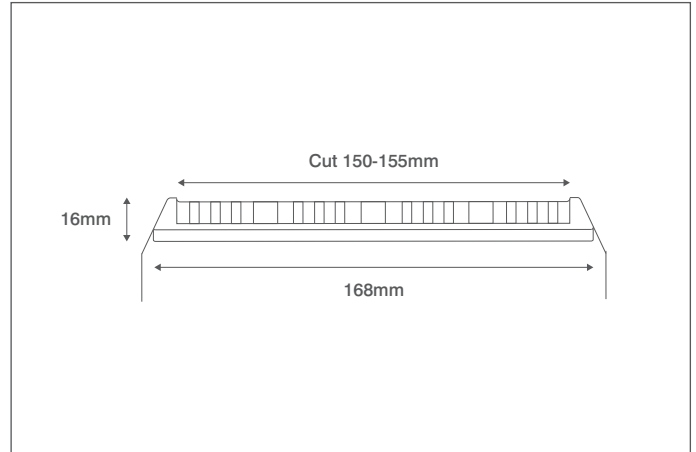
1803 Lake Central Tower, Business Bay, Dubai, UAE  
E: [sales@scolmoredubai.com](mailto:sales@scolmoredubai.com) T: +971 4589 6552  
[scolmoredubai.com](http://scolmoredubai.com)



#### UNITED KINGDOM

Scolmore House, Mariner,  
Lichfield Road Ind. Est. Tamworth B79 7UL  
[oviaUK.com](http://oviaUK.com)

<b>NON-MAINTAINED LUMINAIRE</b>	Luminaire is off when the mains power is available to charge the batteries. Upon supply failure the luminaire is energised from the battery pack.
<b>OPEN (ANTI-PANIC) AREA LIGHTING</b>	A part of Emergency Escape Lighting provided to avoid panic and provides illumination-allowing people to reach a place where an escape route can be identified.
<b>OPERATING FREQUENCY</b>	Refers to the frequency at which the output of a lamp or LED source operates per second. Measured in Hertz (Hz). Electronic or high frequency control gear will increase the operating frequency into an operating frequency that the human eye cannot detect.
<b>PIR</b>	Passive Infrared (Detectors) are a type of occupancy sensor. PIR's switch upon detection of heat / movement in the surrounding environment. The PIR's are suitable for LED lamps / luminaires. LED lamps / luminaires can be switched at any frequency but provision must be taken for the in-rush current of the LED control gear. HF compact fluorescent luminaires should not be controlled by PIR's unless they have a minimum switching cycle of 20 minutes.
<b>PHOTOCELL</b>	A light-sensing device used to control luminaires and dimmers in response to detected light levels.
<b>PHASE CUT OFF / RESISTIVE DIMMERS</b>	Devices used to vary the brightness of a light. By decreasing or increasing the RMS voltage Resistive Dimmers and, hence, the mean power to the lamp, it is possible to vary the intensity of the light output. Although variable-voltage devices are used for various purposes, the term dimmer is generally reserved for those intended to control light output from resistive incandescent, halogen, and (more recently) compact fluorescent lights (CFLs) and light-emitting diodes (LEDs). More specialised equipment is needed to dim fluorescent, mercury vapour, solid state and other arc lighting.
<b>OVMD9014</b>	
<b>PHOTOMETRICS</b>	Photometrics is a term that expresses the result of scientifically tested Ovia® Lighting products to produce information that can be used in lighting design packages such as Relux. Please visit our website for more information.
<b>RA</b>	See Colour Rendering Index.
<b>REACH</b>	Registration, Evaluation, Authorisation & restriction of Chemicals. Directive 1907/2006/EU covers the use of hazardous chemicals used in the manufacturing process and supply of products.
<b>RED</b>	Radio Equipment Directive (RED) 2014/53/EU. The Radio Equipment Directive (RED) was published in the Official Journal of the European Union on 22nd May 2014.
<b>RELUX</b>	The Ovia® Lighting design department utilises Relux as the standard lighting design package and visual presentation tool. IES or LDT files for each Ovia® product are downloadable from oviaUK.com or ovia.ie.
<b>ROHS</b>	 Restriction of Hazardous Substances (2011/65/EU) is an evolution of the original directive (2002/95/EC) maintaining consistency across all European member states. Effective as of January 2013 to restrict additional hazardous substances in products, preventing damage to the environment. Directive 2015/863 has recently been added with four additional phthalates.
<b>SELF-CONTAINED</b>	The most common type of Emergency lighting luminaire, where all of the components are within one luminaire. This can include gear boxes connected directly to individual luminaires but outside the main luminaire housing.
<b>SELF TEST EMERGENCY</b>	The Self-Test circuit utilises an accurate internal clock which is programmed to interrupt the permanent mains supply at set intervals thus initiating emergency lighting tests. The Self Test units are supplied pre-programmed to initiate short duration tests once every month and a full duration test once every 12 months (as recommended in BS5266 and EN50172).
<b>SELV</b>	Safety Extra Low Voltage or Separated. An extra-low voltage system, which is electrically separated from Earth and from other systems in such a way that a single fault cannot give rise to the risk of electric shock.
<b>STROBOSCOPIC EFFECT</b>	Lamps that operate from an alternating electrical supply may produce oscillations in light output. When the magnitude of these oscillations is great, machinery will appear to be stationary or moving in a different manner. This is called the stroboscopic effect. It is not commonly seen in modern lighting systems, but where it does occur it can be dangerous; so appropriate action should be taken to avoid it.
<b>SYMMETRICAL DISTRIBUTION</b>	Symmetric distribution of light. In many cases, the luminous intensity (light output) is distributed exactly the same either side of the lighting plane. Commonly found on floodlights, downlights and projectors.
<b>TASK LIGHTING</b>	Localised lighting intended for a specific task, examples include bed head reading lights, desk lamps and inspection bench lighting.
<b>TC°</b>	Rated value of the equipment's maximum operating temperature. Typically marked on control gear components.
<b>THERMAL CUT-OUT</b>	A protection from overheating due to abnormal lamp conditions (rectifier effect, short circuit or overload), with automatic restart after cooling. If a lamp is in a cycle of, runs for a duration, turns off, then restarts and runs for the duration again, it is likely that a thermal cut-out is operating.
<b>THERMAL PERFORMANCE</b>	This term refers to the design / thermal management of a luminaire.
<b>TP(A), TP(B)</b>	The Building Regulations Approved Document B2 (buildings other than dwelling houses) places restrictions on the use of certain thermoplastic materials when they are used as lighting diffusers and form part of a ceiling. TP(a) rated materials may be used almost without restriction, restrictions exist on the use of TP(b) rated materials.
<b>TRANSFORMER</b>	A device by which the voltage of alternating current is changed. Traditional transformers are constructed by copper wire wound around an iron core, Electronic transformers are also commonly found. Typically used for supplying low voltage lamps, most transformers can be dimmed. The success of dimming depends on many factors including the type of dimmer and transformer used. We recommend that the dimmer supplier is consulted for compatibility.
<b>ULOR</b>	Upward Light Output Ratio. The ratio of the total light output of a luminaire above the horizontal.
<b>(UGR) UNIFIED GLARE RATING</b>	Unified Glare Rating is a calculated value for the amount of glare or discomfort produced by a luminaire; its value ranges from 10 to 30, the higher the value the more perceptible the glare effect.
<b>UTILISATION FACTOR</b>	The proportion of the luminous flux emitted by a light source, which reaches the working plane.
<b>UV</b>	Ultra Violet is invisible radiation that is shorter in wavelength and higher in frequency than visible violet light (literally beyond the violet light). Lamps that emit varying degrees of long wave ultraviolet light, which does cause harm or degradation overtime, may require filters to absorb the UV. A 'failed' lamp that does not emit any visible light is still capable of emitting high levels of UV light but is not noticed as the lack of visible light gives the impression that the lamp is not operating. The high levels of UV can then cause damage to materials, particularly plastics, with dis-colouration and crumbling of the material. Therefore failed lamps should always be replaced immediately. Ultraviolet light source can be used to create special lighting effects with fluorescent materials. UV sources can be incandescent, fluorescent, or preferably HID lamps.
<b>VOLTAGE</b>	The electric potential which exists between two components in an electrical circuit. Lamps are rated in terms of wattage at a specific voltage. Operating a lamp at another voltage from that which it is rated may cause the lamp to burn at less than full intensity or to burn out very quickly.
<b>WATT (W)</b>	The unit for measuring electrical power. It defines the rate of energy consumption by an electrical device when it is in operation. The energy cost of operating an electrical device is calculated as its wattage times the hours of use. In single phase circuits, it is related to volts and amps by the formula: Volts x Amps x Power Factor = Watts. (Note: For AC circuits, Power Factor must be included).
<b>WEEE</b>	Compliance with the Waste Electrical and Electronic Equipment Directive. This covers the collection, treatment and recycling of equipment at end of life. When supplied as B2B EEE the producer invokes regulation 12.2 and passes all WEEE obligations to the end user.
<b>ZENITH</b>	The direction directly above the luminaire (180° angle). Term used in floodlighting designs.



### General Information

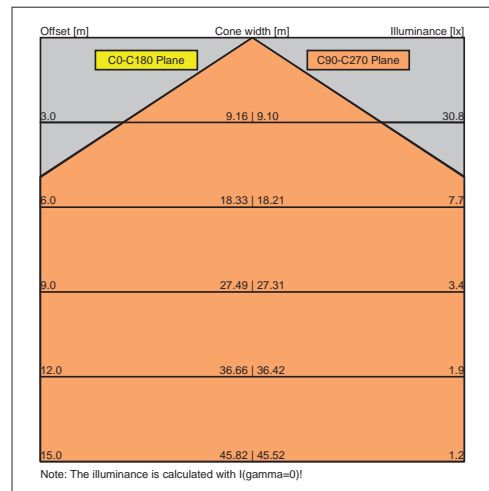
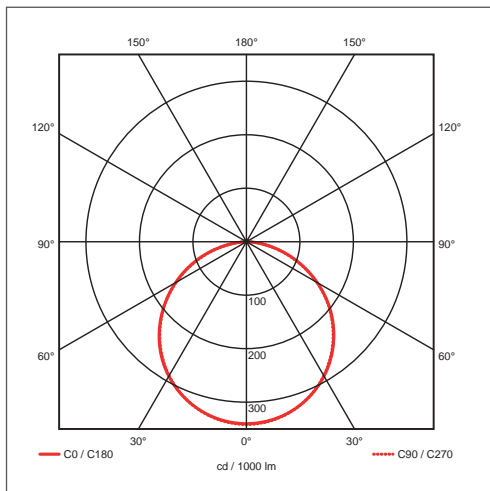
Dimensions	168mm Diameter x 16mm (D)
Materials	Body: Powdercoated Aluminium Diffuser: Polypropylene
Finish	White
Product Weight	0.19Kg
Cutout	155mm Diameter
Dimmable	No
Ingress Protection	IP20
Flammability Rating	V0
LGP Thickness	2.8mm
Warranty	2 Years

### Supply & Power

Input Voltage & Frequency	220-240V ~ 50/60Hz
Electrical Safety	Class II (Double Insulated)
LED Wattage	12W
Circuit Wattage	12W
Input Current	100mA
Inrush Current	<6.2A (<84ms)
Power Factor	>0.5
Ambient Temperature (Ta)	-25°C - +45°C
Critical Temperature	+90°C
LED Driver	Remote Driver Supplied
Energy Class	A+

### Luminaire Output

Colour Temperature	4000K
CRI	>80
Typical Luminous Flux	960lm
Efficacy	80lm/W
Beam Angle	120°
LED Lifetime (L70)	30,000 Hours
Flicker Free	No
Energy Class	A+



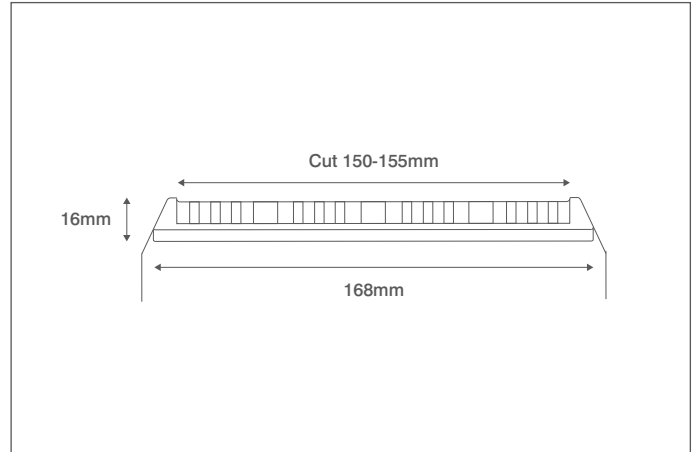
#### United Kingdom

Scolmore House, Mariner, Lichfield Road Industrial Estate  
B79 7UL Tamworth, Staffordshire  
T: +44 (0) 182763454 | W: scolmore.com | W: oviaUK.com

#### Middle East Helpline

1803 Lake Central Tower, Business Bay  
T: +971 4589 6552  
E: sales@scolmoredubai.com





### General Information

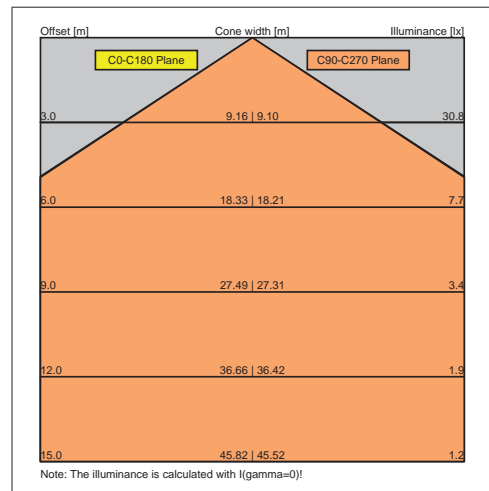
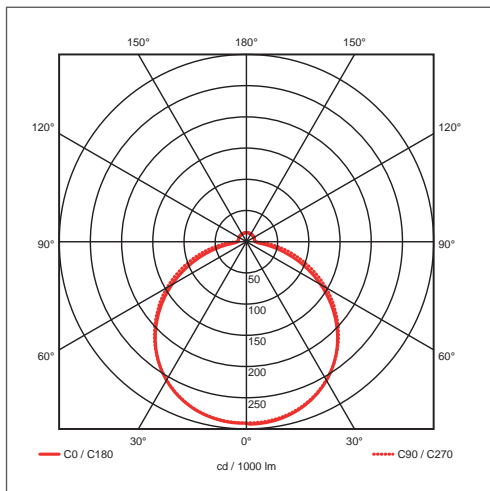
Dimensions	168mm Diameter x 16mm (D)
Materials	Body: Powdercoated Aluminium Diffuser: Polypropylene
Finish	White
Product Weight	0.19Kg
Cutout	155mm Diameter
Dimmable	No
Ingress Protection	IP20
Flammability Rating	V0
LGP Thickness	2.8mm
Warranty	2 Years

### Supply & Power

Input Voltage & Frequency	220-240V ~ 50/60Hz
Electrical Safety	Class II (Double Insulated)
LED Wattage	12W
Circuit Wattage	12W
Input Current	100mA
Inrush Current	<6.2A (<84ms)
Power Factor	>0.5
Ambient Temperature (Ta)	-25°C - +45°C
Critical Temperature	+90°C
LED Driver	Remote Driver Supplied
Energy Class	A+

### Luminaire Output

Colour Temperature	6500K
CRI	>80
Typical Luminous Flux	960lm
Efficacy	80lm/W
Beam Angle	120°
LED Lifetime (L70)	30,000 Hours
Flicker Free	No
Energy Class	A+



#### United Kingdom

Scolmore House, Mariner, Lichfield Road Industrial Estate  
B79 7UL Tamworth, Staffordshire  
T: +44 (0) 182763454 | W: scolmore.com | W: oviaUK.com

#### Middle East Helpline

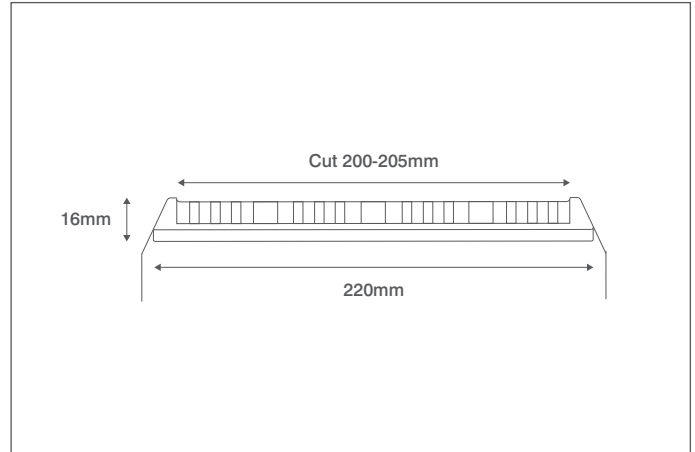
1803 Lake Central Tower, Business Bay  
T: +971 4589 6552  
E: sales@scolmoredubai.com





Product Code: SDAL1001-18W4K

Description: 18W 220mm Diameter Slim Circular Recessed LED Downlight - 4000K - White



### General Information

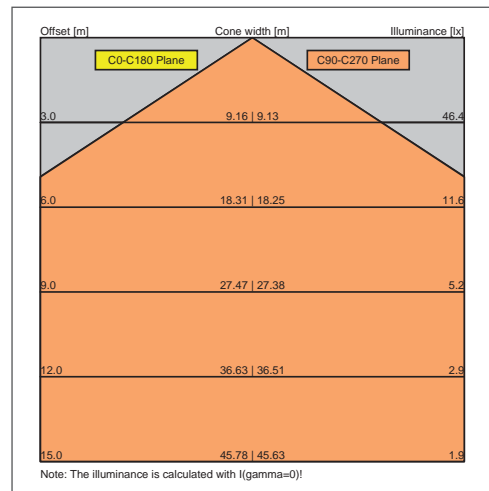
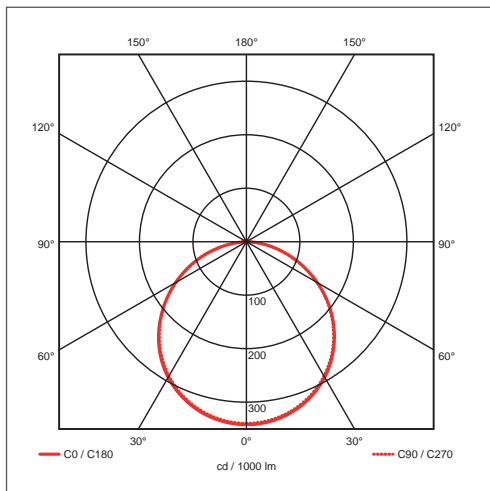
Dimensions	220mm Diameter x 16mm (D)
Materials	Body: Powdercoated Aluminium Diffuser: Polypropylene
Finish	White
Product Weight	0.35Kg
Cutout	205mm Diameter
Dimmable	No
Ingress Protection	IP20
Flammability Rating	V0
LGP Thickness	2.8mm
Warranty	2 Years

### Supply & Power

Input Voltage & Frequency	220-240V~ 50/60Hz
Electrical Safety	Class II (Double Insulated)
LED Wattage	18W
Circuit Wattage	18W
Input Current	160mA
Inrush Current	<12.1A (<118ms)
Power Factor	>0.5
Ambient Temperature (Ta)	-25°C - +45°C
Critical Temperature	+90°C
LED Driver	Remote Driver Supplied
Energy Class	A+

### Luminaire Output

Colour Temperature	4000K
CRI	>80
Typical Luminous Flux	1530lm
Efficacy	85lm/W
Beam Angle	120°
LED Lifetime (L70)	30,000 Hours
Flicker Free	No
Energy Class	A+



#### United Kingdom

Scolmore House, Mariner, Lichfield Road Industrial Estate  
B79 7UL Tamworth, Staffordshire  
T: +44 (0) 182763454 | W: scolmore.com | W: oviaUK.com

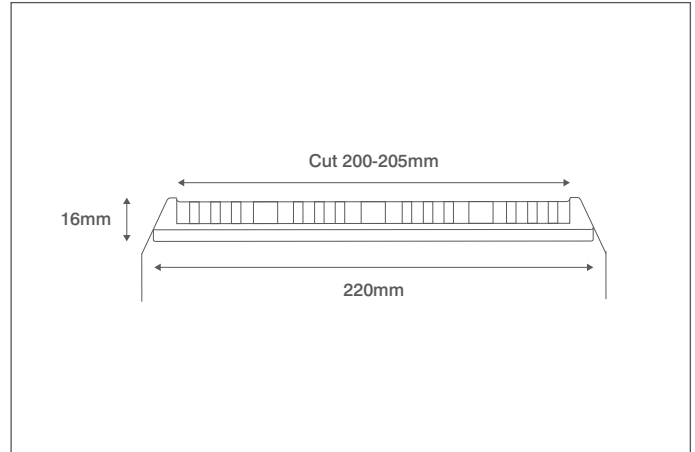
#### Middle East Helpline

1803 Lake Central Tower, Business Bay  
T: +971 4589 6552  
E: sales@scolmoredubai.com



Product Code: SDAL1001-18W6.5K

Description: 18W 220mm Diameter Slim Circular Recessed LED Downlight - 6500K - White



### General Information

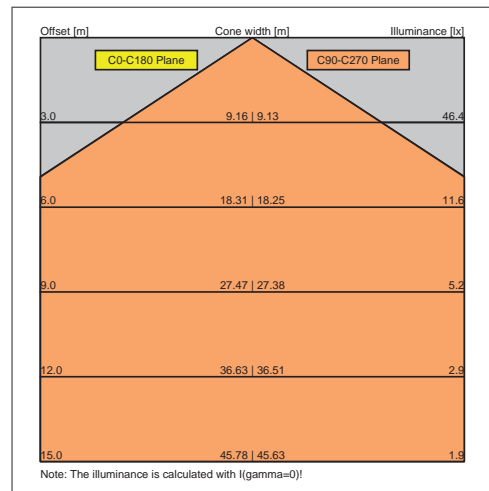
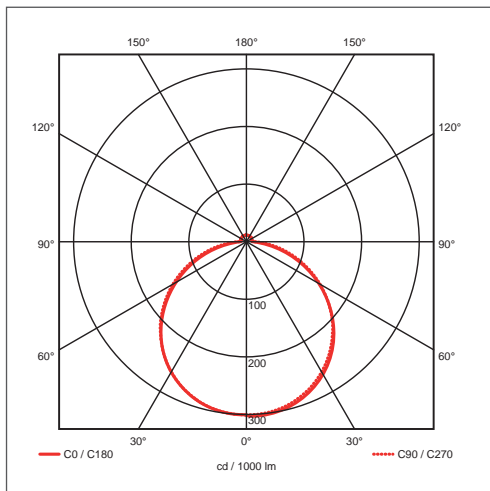
Dimensions	220mm Diameter x 16mm (D)
Materials	Body: Powdercoated Aluminium Diffuser: Polypropylene
Finish	White
Product Weight	0.35Kg
Cutout	205mm Diameter
Dimmable	No
Ingress Protection	IP20
Flammability Rating	V0
LGP Thickness	2.8mm
Warranty	2 Years

### Supply & Power

Input Voltage & Frequency	220-240V~ 50/60Hz
Electrical Safety	Class II (Double Insulated)
LED Wattage	18W
Circuit Wattage	18W
Input Current	160mA
Inrush Current	<12.1A (<118ms)
Power Factor	>0.5
Ambient Temperature (Ta)	-25°C - +45°C
Critical Temperature	+90°C
LED Driver	Remote Driver Supplied
Energy Class	A+

### Luminaire Output

Colour Temperature	6500K
CRI	>80
Typical Luminous Flux	1530lm
Efficacy	85lm/W
Beam Angle	120°
LED Lifetime (L70)	30,000 Hours
Flicker Free	No
Energy Class	A+



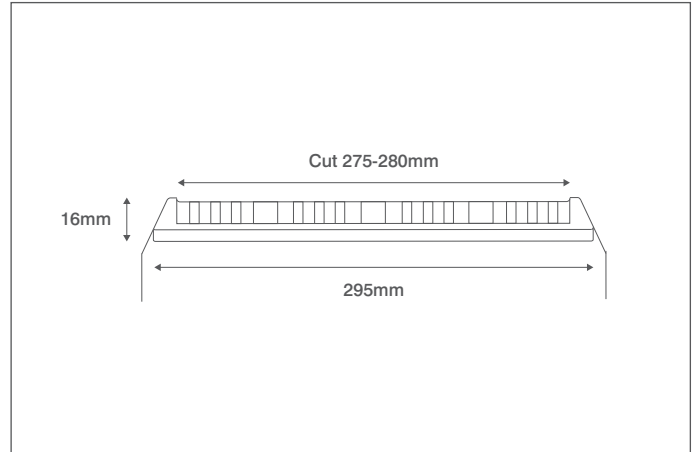
#### United Kingdom

Scolmore House, Mariner, Lichfield Road Industrial Estate  
B79 7UL Tamworth, Staffordshire  
T: +44 (0) 182763454 | W: scolmore.com | W: oviaUK.com

#### Middle East Helpline

1803 Lake Central Tower, Business Bay  
T: +971 4589 6552  
E: sales@scolmoredubai.com





### General Information

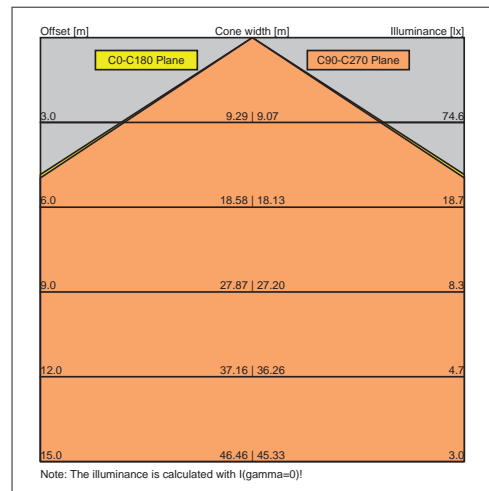
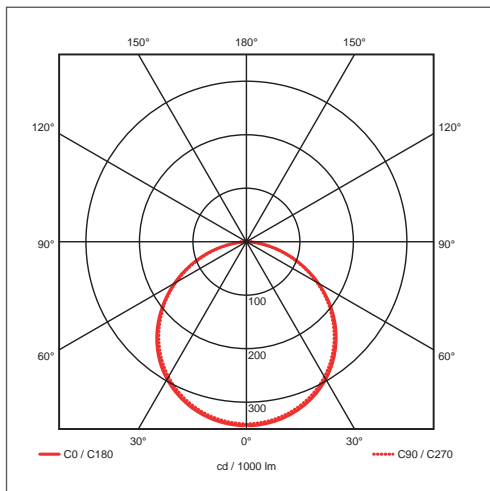
Dimensions	295mm Diameter x 16mm (D)
Materials	Body: Powdercoated Aluminium Diffuser: Polypropylene
Finish	White
Product Weight	0.5Kg
Cutout	280mm Diameter
Dimmable	No
Ingress Protection	IP20
Flammability Rating	V0
LGP Thickness	2.8mm
Warranty	2 Years

### Supply & Power

Input Voltage & Frequency	220-240V~ 50/60Hz
Electrical Safety	Class II (Double Insulated)
LED Wattage	24W
Circuit Wattage	24W
Input Current	210mA
Inrush Current	<16A (<157ms)
Power Factor	>0.5
Ambient Temperature (Ta)	-25°C - +45°C
Critical Temperature	+90°C
LED Driver	Remote Driver Supplied
Energy Class	A+

### Luminaire Output

Colour Temperature	4000K
CRI	>80
Typical Luminous Flux	2040lm
Efficacy	85lm/W
Beam Angle	120°
LED Lifetime (L70)	30,000 Hours
Flicker Free	No
Energy Class	A+



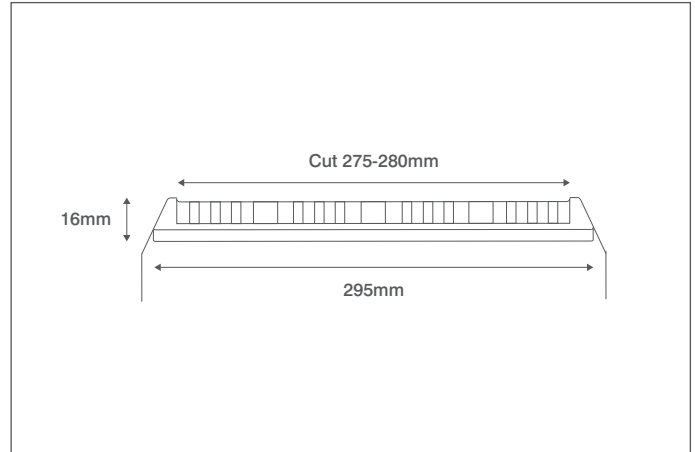
#### United Kingdom

Scolmore House, Mariner, Lichfield Road Industrial Estate  
B79 7UL Tamworth, Staffordshire  
T: +44 (0) 182763454 | W: scolmore.com | W: oviaUK.com

#### Middle East Helpline

1803 Lake Central Tower, Business Bay  
T: +971 4589 6552  
E: sales@scolmoredubai.com





### General Information

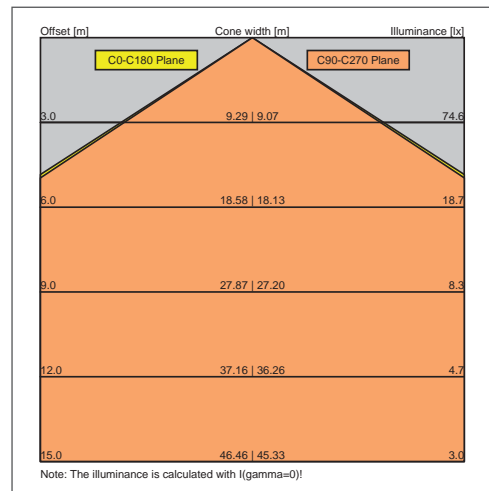
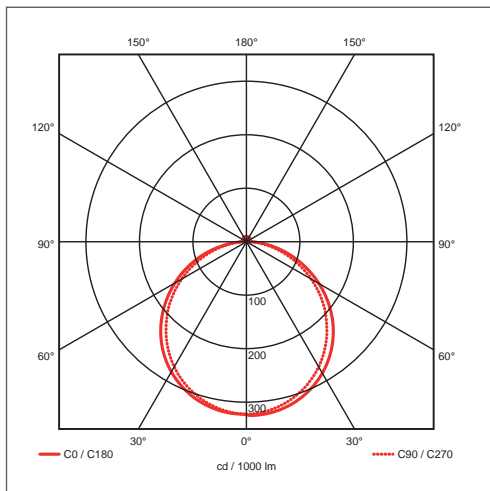
Dimensions	295mm Diameter x 16mm (D)
Materials	Body: Powdercoated Aluminium Diffuser: Polypropylene
Finish	White
Product Weight	0.5Kg
Cutout	275mm-280mm Diameter
Dimmable	No
Ingress Protection	IP20
Warranty	2 Years

### Supply & Power

Input Voltage & Frequency	220-240V ~ 50Hz
Electrical Safety	Class II (Double Insulated)
LED Wattage	24W
Circuit Wattage	24W
Input Current	210mA
Inrush Current	<1A (<0.5s)
Power Factor	>0.5
Ambient Temperature (Ta)	-25°C - +45°C
Critical Temperature	+90°C
LED Driver	Remote Driver Supplied

### Luminaire Output

Colour Temperature	6500K
CRI	>80
Typical Luminous Flux	2040lm
Efficacy	85lm/W
Beam Angle	120°
LED Lifetime (L70)	25,000 Hours
Flicker Free	No



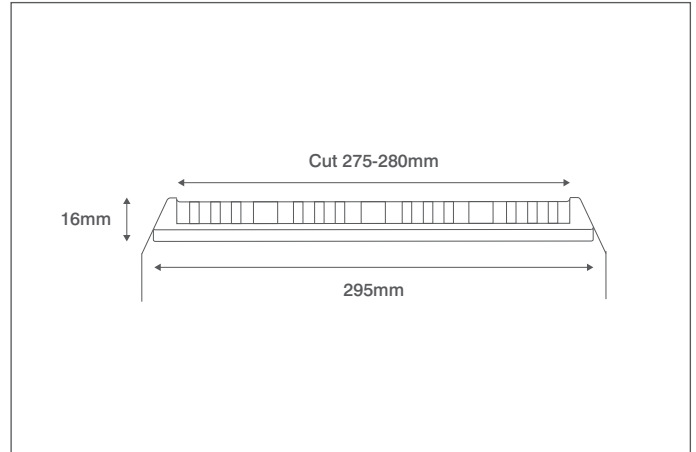
#### United Kingdom

Scolmore House, Mariner, Lichfield Road Industrial Estate  
B79 7UL Tamworth, Staffordshire  
T: +44 (0) 182763454 | W: scolmore.com | W: oviaUK.com

#### Middle East Helpline

1803 Lake Central Tower, Business Bay  
T: +971 4589 6552  
E: sales@scolmoredubai.com





### General Information

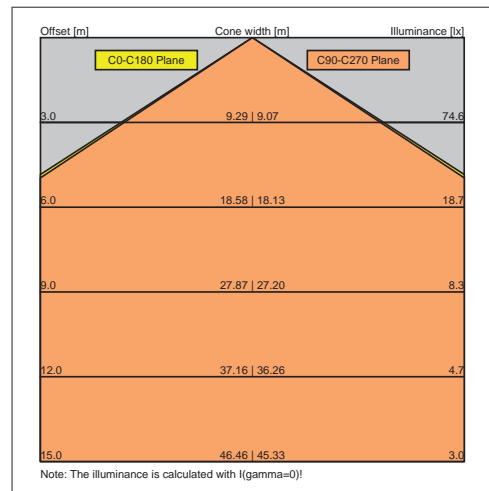
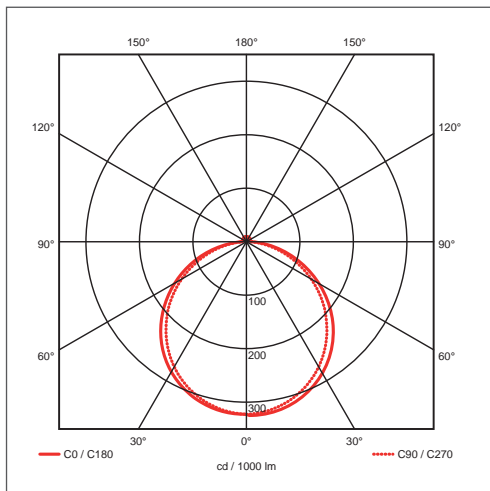
Dimensions	295mm Diameter x 16mm (D)
Materials	Body: Powdercoated Aluminium Diffuser: Polypropylene
Finish	White
Product Weight	0.5Kg
Cutout	280mm Diameter
Dimmable	No
Ingress Protection	IP20
Flammability Rating	V0
LGP Thickness	2.8mm
Warranty	2 Years

### Supply & Power

Input Voltage & Frequency	220-240V~ 50/60Hz
Electrical Safety	Class II (Double Insulated)
LED Wattage	24W
Circuit Wattage	24W
Input Current	210mA
Inrush Current	<16A (<157ms)
Power Factor	>0.5
Ambient Temperature (Ta)	-25°C - +45°C
Critical Temperature	+90°C
LED Driver	Remote Driver Supplied
Energy Class	A+

### Luminaire Output

Colour Temperature	6500K
CRI	>80
Typical Luminous Flux	2040lm
Efficacy	85lm/W
Beam Angle	120°
LED Lifetime (L70)	30,000 Hours
Flicker Free	No
Energy Class	A+



#### United Kingdom

Scolmore House, Mariner, Lichfield Road Industrial Estate  
B79 7UL Tamworth, Staffordshire  
T: +44 (0) 182763454 | W: scolmore.com | W: oviaUK.com

#### Middle East Helpline

1803 Lake Central Tower, Business Bay  
T: +971 4589 6552  
E: sales@scolmoredubai.com

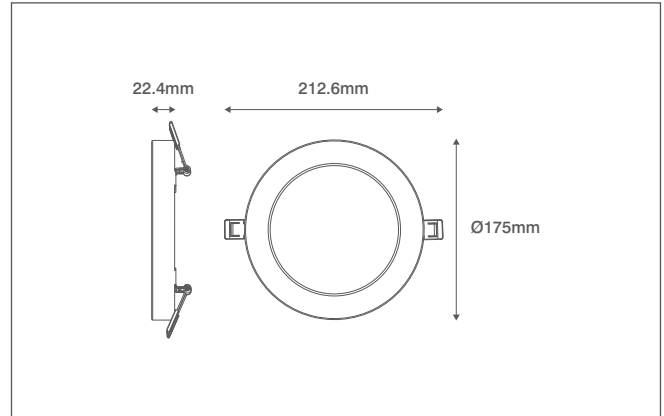
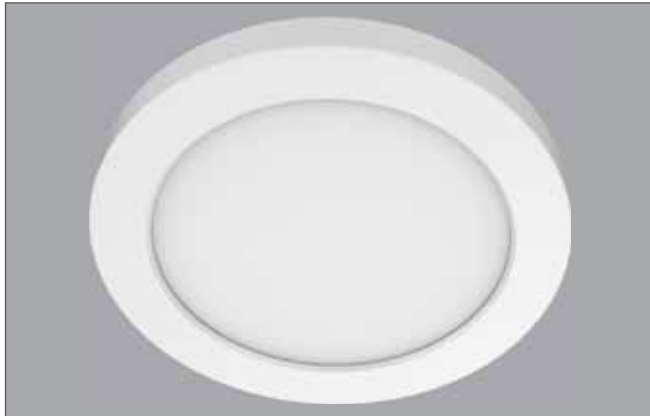


# MELI VERSI

## Technical Specification

Product Code: SDAL1030-12W-CCT

Description: 12W 175mm Diameter Adaptable LED Downlight - CTA Switch - White

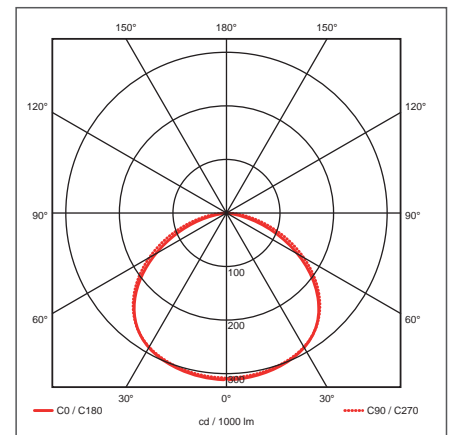


### General Information

Dimensions	175mm Diameter x 22mm (D)
Materials	Body: Polycarbonate Diffuser: Polystyrene
Finish	White (RAL 9003)
Product Weight	0.15Kg
Cutout (If Available)	44-113mm Diameter
Dimmable	Yes
Ingress Protection	IP20
Warranty	2 Years

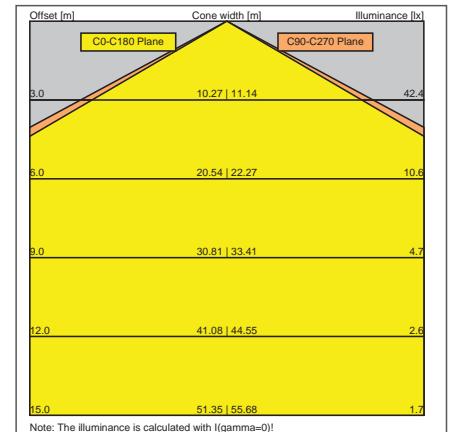
### Supply & Power

Input Voltage & Frequency	220-240V~ 50/60Hz
Electrical Safety	Class II (Double Insulated)
LED Wattage	12W
Circuit Wattage	12W
Input Current	120mA
Power Factor	>0.5
Ambient Temperature (Ta)	-25°C - +40°C
Critical Temperature	+75°C
LED Driver	Integrated
Energy Class	F



### Luminaire Output

Colour Temperature	3000K	4000K	6400K
Typical Luminous Flux	960lm	1200lm	1150lm
Efficacy	80lm/W	80lm/W	80lm/W
Beam Angle	120°		
CRI	>80		
Flicker Free	Yes		
LED Lifetime (L70)	25,000 Hours		



#### United Kingdom

Scolmore House, Mariner, Lichfield Road Industrial Estate  
B79 7UL Tamworth, Staffordshire  
T: +44 (0) 182763454 | W: scolmore.com | W: oviaUK.com

#### Middle East Helpline

1803 Lake Central Tower, Business Bay  
T: +971 4589 6552  
E: sales@scolmoredubai.com

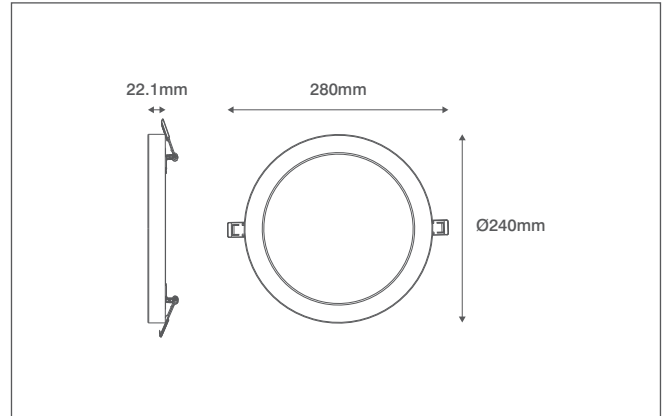
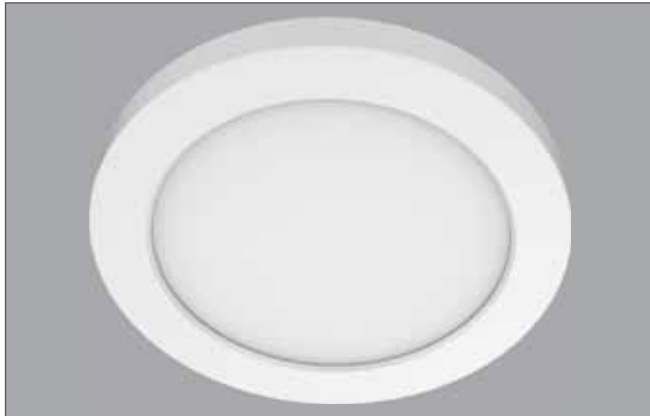


# MELI VERSI

## Technical Specification

Product Code: SDAL1030-18W-CCT

Description: 18W 240mm Diameter Adaptable LED Downlight - CTA Switch - White

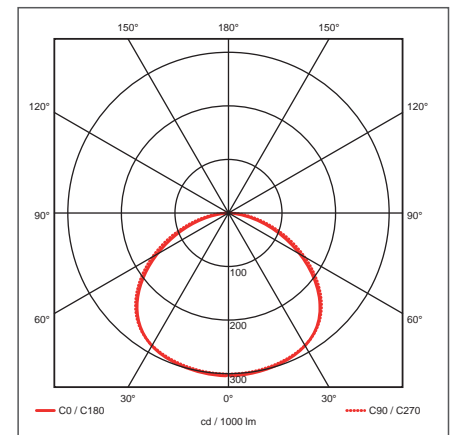


### General Information

Dimensions	240mm Diameter x 22mm (D)
Materials	Body: Polycarbonate Diffuser: Polystyrene
Finish	White (RAL 9003)
Product Weight	0.15Kg
Cutout (If Available)	44-182mm Diameter
Dimmable	Yes
Ingress Protection	IP20
Warranty	2 Years

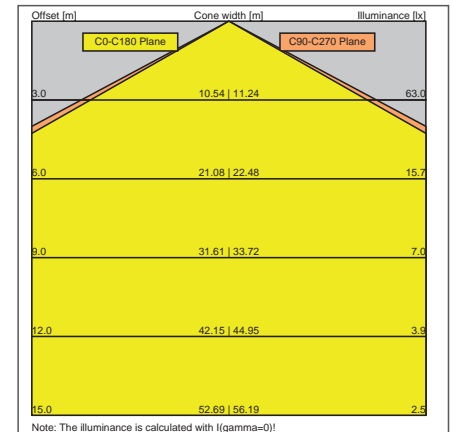
### Supply & Power

Input Voltage & Frequency	220-240V ~ 50/60Hz
Electrical Safety	Class II (Double Insulated)
LED Wattage	18W
Circuit Wattage	18W
Input Current	180mA
Power Factor	>0.5
Ambient Temperature (Ta)	-25°C - +40°C
Critical Temperature	+80°C
LED Driver	Integrated
Energy Class	F



### Luminaire Output

Colour Temperature	3000K	4000K	6400K
Typical Luminous Flux	1530lm	1700lm	1550lm
Efficacy	85lm/W	85lm/W	85lm/W
Beam Angle	120°		
CRI	>80		
Flicker Free	Yes		
LED Lifetime (L70)	25,000 Hours		



#### United Kingdom

Scolmore House, Mariner, Lichfield Road Industrial Estate  
B79 7UL Tamworth, Staffordshire  
T: +44 (0) 182763454 | W: scolmore.com | W: oviaUK.com

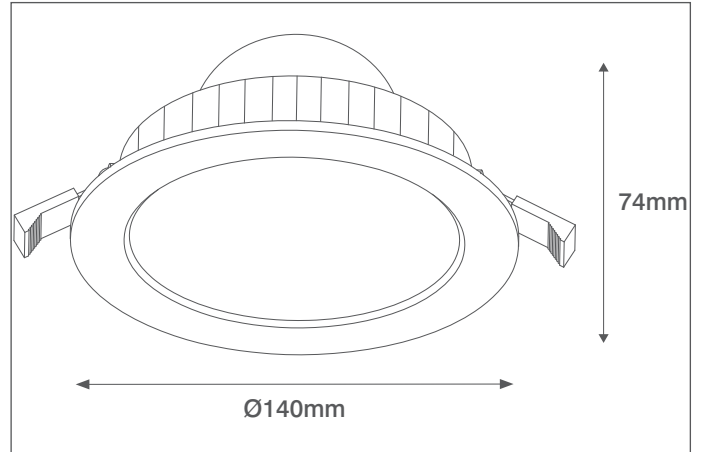
#### Middle East Helpline

1803 Lake Central Tower, Business Bay  
T: +971 4589 6552  
E: sales@scolmoredubai.com



Product Code: SDAL2008-15C

Description: 15W 140mm Diameter Circular Recessed LED Downlight - 6000K - White



### General Information

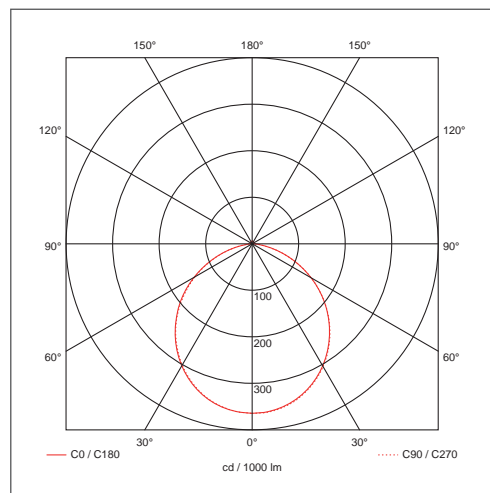
Dimensions	140mm Diameter x 74mm (D)
Materials	Body: Powdercoated Aluminium
	Diffuser: Polystyrene
	White
Product Weight	0.39Kg
Cutout	120mm Diameter
Dimmable	Yes
Ingress Protection	IP44/IP20
Warranty	2 Years

### Supply & Power

Input Voltage & Frequency	220V ~ 50/60Hz
Electrical Safety	Class II (Double Insulated)
LED Wattage	15W
Circuit Wattage	15W
Input Current	130mA
Power Factor	>0.9
Ambient Temperature (Ta)	45°C
Critical Temperature	+80°C
LED Driver	Integrated
Energy Class	F

### Luminaire Output

Colour Temperature	6000K
CRI	>80
Typical Luminous Flux	1200lm
Efficacy	80lm/W
Beam Angle	110°
LED Lifetime (L70)	30,000 Hours
Flicker Free	No
Energy Class	F



#### United Kingdom

Scolmore House, Mariner, Lichfield Road Industrial Estate  
B79 7UL Tamworth, Staffordshire

T: +44 (0) 182763454 | W: scolmore.com | W: oviaUK.com

#### Middle East Helpline

1803 Lake Central Tower, Business Bay

T: +971 4589 6552

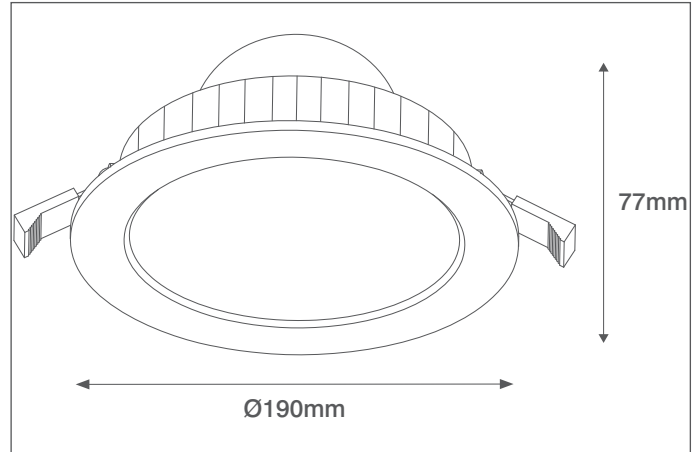
E: sales@scolmoredubai.com





Product Code: SDAL2008-25C

Description: 25W 190mm Diameter Circular Recessed LED Downlight - 6000K - White



### General Information

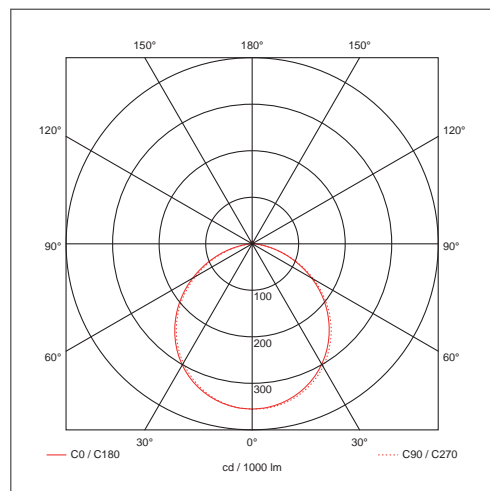
Dimensions	190mm Diameter x 77mm (D)
Materials	Body: Powdercoated Aluminium Diffuser: Polystyrene White
Product Weight	0.69Kg
Cutout	170mm Diameter
Dimmable	Yes
Ingress Protection	IP44/IP20
Warranty	2 Years

### Supply & Power

Input Voltage & Frequency	220V ~ 50/60Hz
Electrical Safety	Class II (Double Insulated)
LED Wattage	25W
Circuit Wattage	25W
Input Current	220mA
Power Factor	>0.9
Ambient Temperature (Ta)	45°C
Critical Temperature	+80°C
LED Driver	Integrated
Energy Class	F

### Luminaire Output

Colour Temperature	6000K
CRI	>80
Typical Luminous Flux	2000lm
Efficacy	80lm/W
Beam Angle	110°
LED Lifetime (L70)	30,000 Hours
Flicker Free	No
Energy Class	F



#### United Kingdom

Scolmore House, Mariner, Lichfield Road Industrial Estate  
B79 7UL Tamworth, Staffordshire  
T: +44 (0) 182763454 | W: scolmore.com | W: oviaUK.com

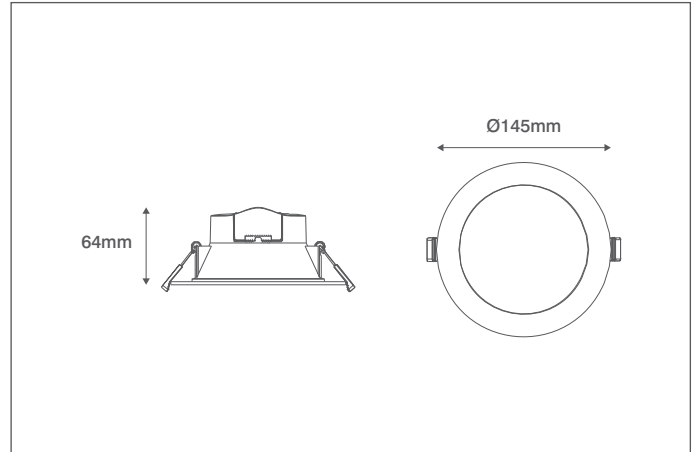
#### Middle East Helpline

1803 Lake Central Tower, Business Bay  
T: +971 4589 6552  
E: sales@scolmoredubai.com



Product Code: SDAL2018-15W4K

Description: 15W 145mm Diameter Circular Recessed LED Downlight - 4000K - White



### General Information

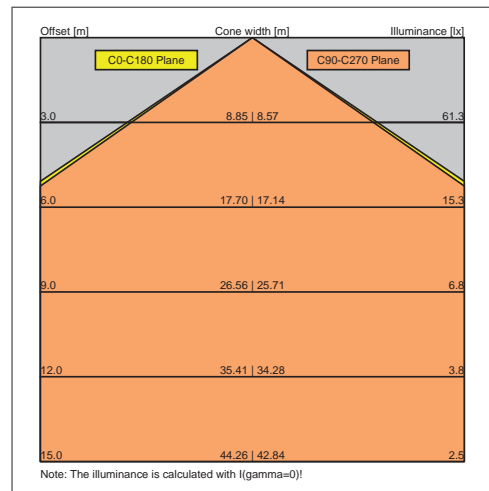
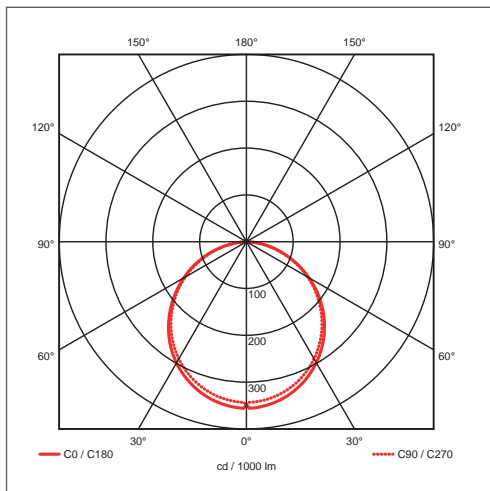
Dimensions	145mm Diameter x 64mm (D)
Materials	Body: Polycarbonate Diffuser: Polystyrene
Finish	White (RAL 9003)
Product Weight	0.3Kg
Cutout	120mm Diameter
Dimmable	No
Ingress Protection	IP20
Warranty	2 Years

### Supply & Power

Input Voltage & Frequency	220-240V~ 50/60Hz
Electrical Safety	Class II (Double Insulated)
LED Wattage	15W
Circuit Wattage	15W
Input Current	145mA
Power Factor	>0.5
Ambient Temperature (Ta)	-25°C - +45°C
Critical Temperature	+90°C
LED Driver	Integrated
Energy Class	F

### Luminaire Output

Colour Temperature	4000K
CRI	>80
Typical Luminous Flux	1350lm
Efficacy	90lm/W
Beam Angle	100°
LED Lifetime (L70)	25,000 Hours
Flicker Free	Yes
Energy Class	F



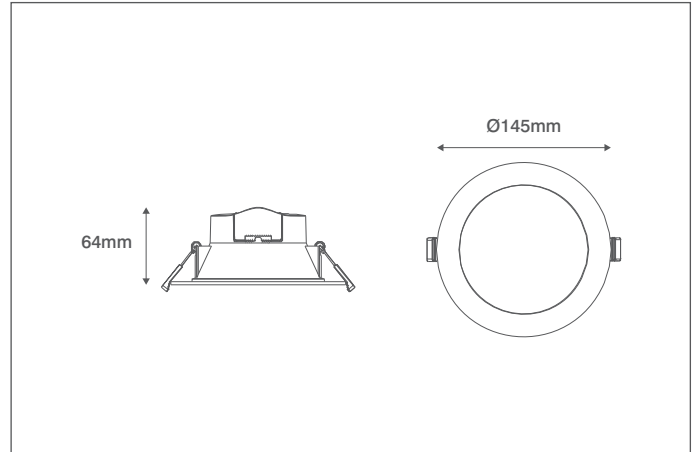
### United Kingdom

Scolmore House, Mariner, Lichfield Road Industrial Estate  
B79 7UL Tamworth, Staffordshire  
T: +44 (0) 182763454 | W: scolmore.com | W: oviaUK.com

### Middle East Helpline

1803 Lake Central Tower, Business Bay  
T: +971 4589 6552  
E: sales@scolmoredubai.com





### General Information

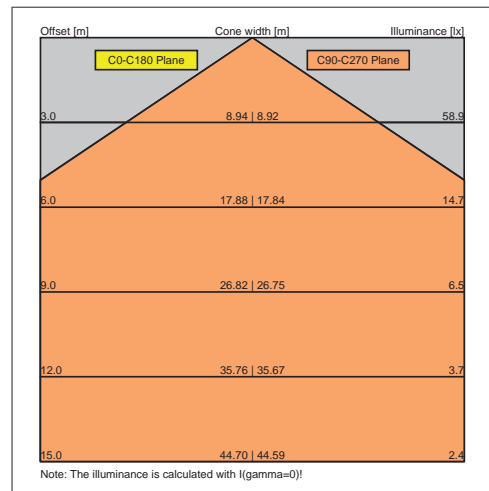
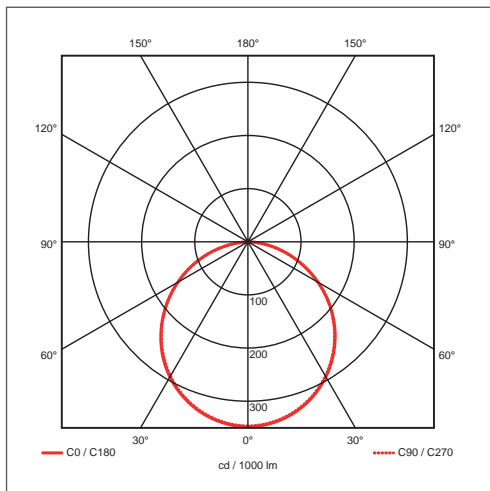
Dimensions	145mm Diameter x 64mm (D)
Materials	Body: Polycarbonate Diffuser: Polystyrene
Finish	White (RAL 9003)
Product Weight	0.3Kg
Cutout	120mm Diameter
Dimmable	No
Ingress Protection	IP20
Warranty	2 Years

### Supply & Power

Input Voltage & Frequency	220-240V~ 50/60Hz
Electrical Safety	Class II (Double Insulated)
LED Wattage	15W
Circuit Wattage	15W
Input Current	145mA
Power Factor	>0.5
Ambient Temperature (Ta)	-25°C - +45°C
Critical Temperature	+90°C
LED Driver	Integrated
Energy Class	F

### Luminaire Output

Colour Temperature	6500K
CRI	>80
Typical Luminous Flux	1350lm
Efficacy	90lm/W
Beam Angle	100°
LED Lifetime (L70)	25,000 Hours
Flicker Free	Yes
Energy Class	F



#### United Kingdom

Scolmore House, Mariner, Lichfield Road Industrial Estate  
B79 7UL Tamworth, Staffordshire  
T: +44 (0) 182763454 | W: scolmore.com | W: oviaUK.com

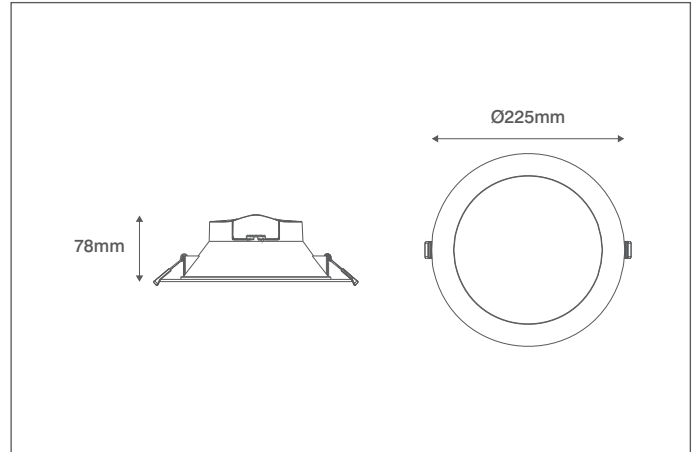
#### Middle East Helpline

1803 Lake Central Tower, Business Bay  
T: +971 4589 6552  
E: sales@scolmoredubai.com



Product Code: SDAL2018-20W4K

Description: 20W 225mm Diameter Circular Recessed LED Downlight - 4000K - White



### General Information

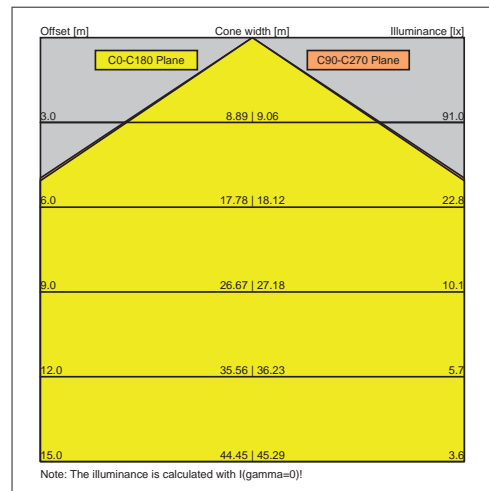
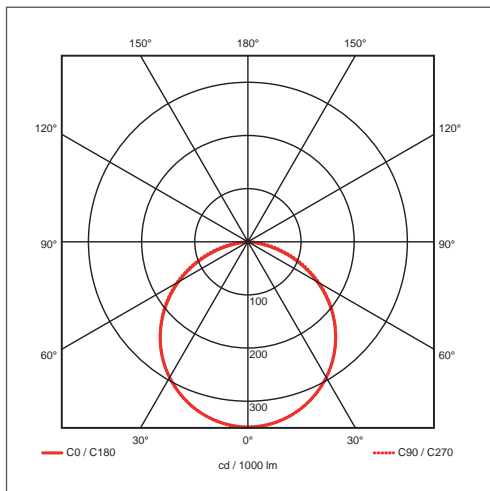
Dimensions	225mm Diameter x 78mm (D)
Materials	Body: Polycarbonate Diffuser: Polystyrene
Finish	White (RAL 9003)
Product Weight	0.3Kg
Cutout	185mm Diameter
Dimmable	No
Ingress Protection	IP20
Warranty	2 Years

### Supply & Power

Input Voltage & Frequency	220-240V~ 50/60Hz
Electrical Safety	Class II (Double Insulated)
LED Wattage	20W
Circuit Wattage	20W
Input Current	200mA
Power Factor	>0.5
Ambient Temperature (Ta)	-25°C - +45°C
Critical Temperature	+90°C
LED Driver	Integrated
Energy Class	F

### Luminaire Output

Colour Temperature	4000K
CRI	>80
Typical Luminous Flux	1800lm
Efficacy	90lm/W
Beam Angle	100°
LED Lifetime (L70)	25,000 Hours
Flicker Free	Yes
Energy Class	F



#### United Kingdom

Scolmore House, Mariner, Lichfield Road Industrial Estate  
B79 7UL Tamworth, Staffordshire  
T: +44 (0) 182763454 | W: scolmore.com | W: oviaUK.com

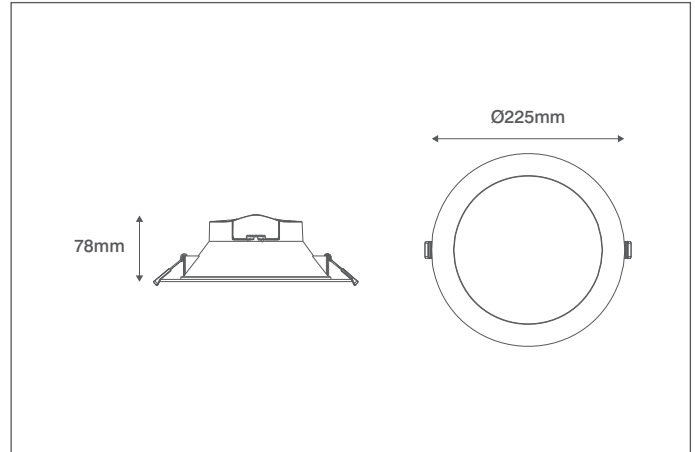
#### Middle East Helpline

1803 Lake Central Tower, Business Bay  
T: +971 4589 6552  
E: sales@scolmoredubai.com



Product Code: SDAL2018-20W6.5K

Description: 20W 225mm Diameter Circular Recessed LED Downlight - 6500K - White



### General Information

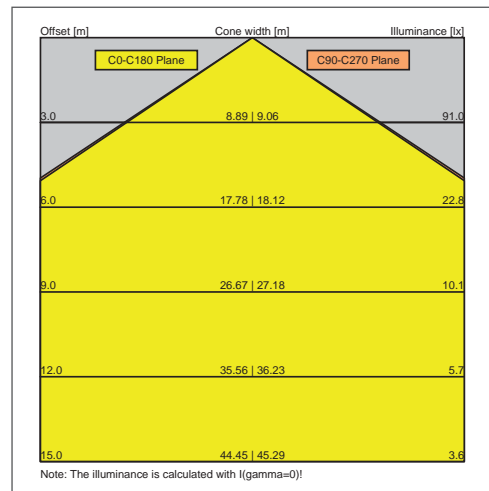
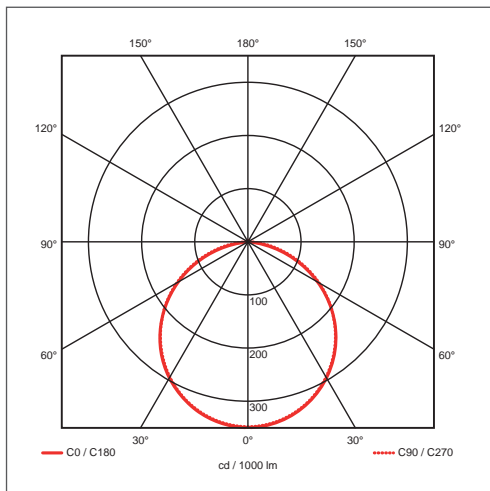
Dimensions	225mm Diameter x 78mm (D)
Materials	Body: Polycarbonate Diffuser: Polystyrene
Finish	White (RAL 9003)
Product Weight	0.3Kg
Cutout	185mm Diameter
Dimmable	No
Ingress Protection	IP20
Warranty	2 Years

### Supply & Power

Input Voltage & Frequency	220-240V~ 50/60Hz
Electrical Safety	Class II (Double Insulated)
LED Wattage	20W
Circuit Wattage	20W
Input Current	200mA
Power Factor	>0.5
Ambient Temperature (Ta)	-25°C - +45°C
Critical Temperature	+90°C
LED Driver	Integrated
Energy Class	F

### Luminaire Output

Colour Temperature	6500K
CRI	>80
Typical Luminous Flux	1800lm
Efficacy	90lm/W
Beam Angle	100°
LED Lifetime (L70)	25,000 Hours
Flicker Free	Yes
Energy Class	F



#### United Kingdom

Scolmore House, Mariner, Lichfield Road Industrial Estate  
B79 7UL Tamworth, Staffordshire  
T: +44 (0) 182763454 | W: scolmore.com | W: oviaUK.com

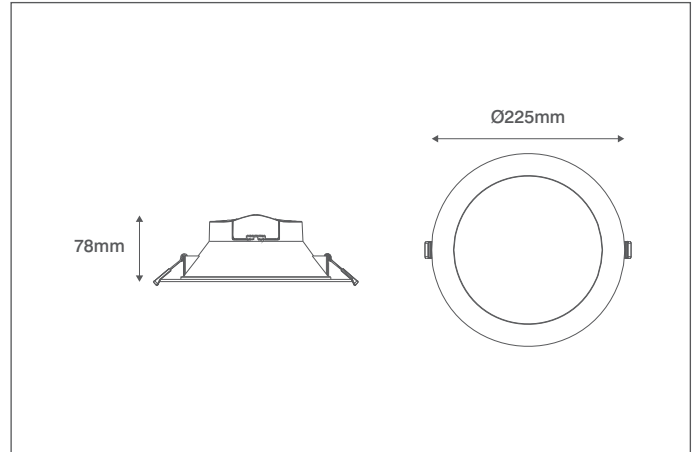
#### Middle East Helpline

1803 Lake Central Tower, Business Bay  
T: +971 4589 6552  
E: sales@scolmoredubai.com



Product Code: SDAL2018-24W4K

Description: 24W 225mm Diameter Circular Recessed LED Downlight - 4000K - White



### General Information

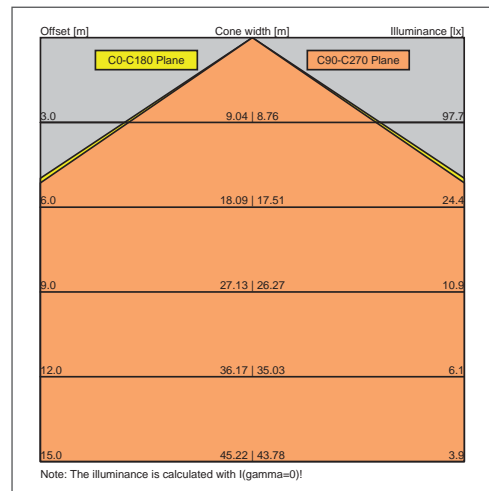
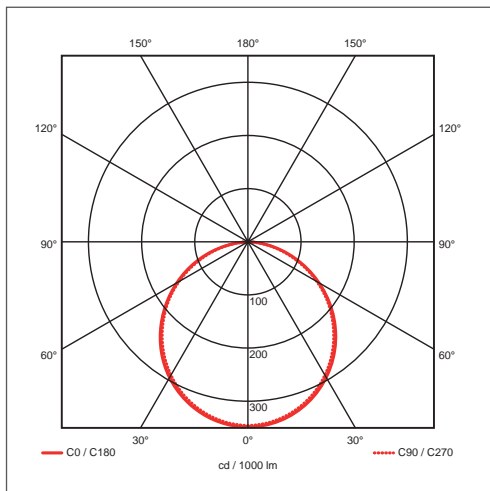
Dimensions	225mm Diameter x 78mm (D)
Materials	Body: Polycarbonate Diffuser: Polystyrene
Finish	White (RAL 9003)
Product Weight	0.3Kg
Cutout	185mm Diameter
Dimmable	No
Ingress Protection	IP20
Warranty	2 Years

### Supply & Power

Input Voltage & Frequency	220-240V~ 50/60Hz
Electrical Safety	Class II (Double Insulated)
LED Wattage	24W
Circuit Wattage	24W
Input Current	230mA
Power Factor	>0.5
Ambient Temperature (Ta)	-25°C - +45°C
Critical Temperature	+90°C
LED Driver	Integrated
Energy Class	F

### Luminaire Output

Colour Temperature	4000K
CRI	>80
Typical Luminous Flux	2160lm
Efficacy	90lm/W
Beam Angle	100°
LED Lifetime (L70)	25,000 Hours
Flicker Free	Yes
Energy Class	F



#### United Kingdom

Scolmore House, Mariner, Lichfield Road Industrial Estate  
B79 7UL Tamworth, Staffordshire  
T: +44 (0) 182763454 | W: scolmore.com | W: oviaUK.com

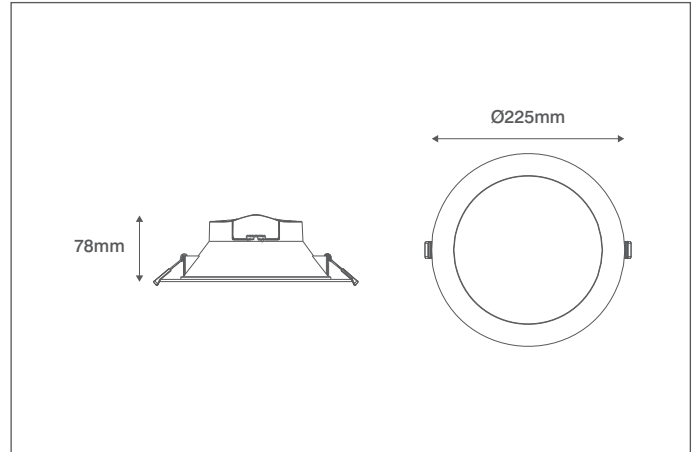
#### Middle East Helpline

1803 Lake Central Tower, Business Bay  
T: +971 4589 6552  
E: sales@scolmoredubai.com



Product Code: SDAL2018-24W6.5K

Description: 24W 225mm Diameter Circular Recessed LED Downlight - 6500K - White



### General Information

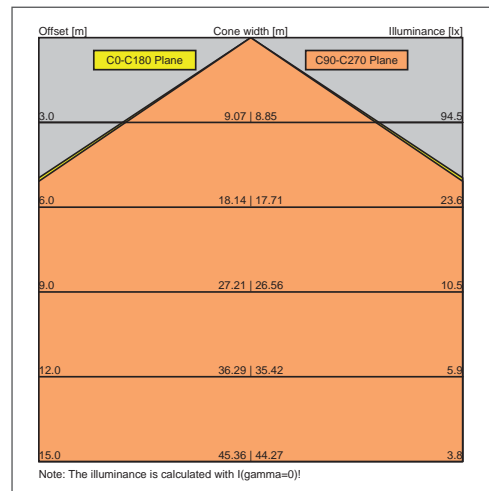
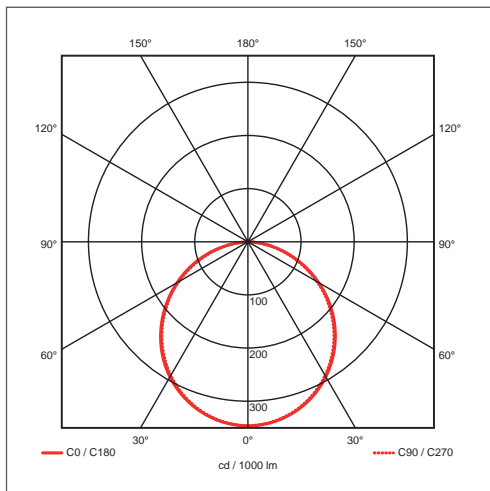
Dimensions	225mm Diameter x 78mm (D)
Materials	Body: Polycarbonate Diffuser: Polystyrene
Finish	White (RAL 9003)
Product Weight	0.3Kg
Cutout	185mm Diameter
Dimmable	No
Ingress Protection	IP20
Warranty	2 Years

### Supply & Power

Input Voltage & Frequency	220-240V~ 50/60Hz
Electrical Safety	Class II (Double Insulated)
LED Wattage	24W
Circuit Wattage	24W
Input Current	230mA
Power Factor	>0.5
Ambient Temperature (Ta)	-25°C - +45°C
Critical Temperature	+90°C
LED Driver	Integrated
Energy Class	F

### Luminaire Output

Colour Temperature	6500K
CRI	>80
Typical Luminous Flux	2160lm
Efficacy	90lm/W
Beam Angle	100°
LED Lifetime (L70)	25,000 Hours
Flicker Free	Yes
Energy Class	F



#### United Kingdom

Scolmore House, Mariner, Lichfield Road Industrial Estate  
B79 7UL Tamworth, Staffordshire  
T: +44 (0) 182763454 | W: scolmore.com | W: oviaUK.com

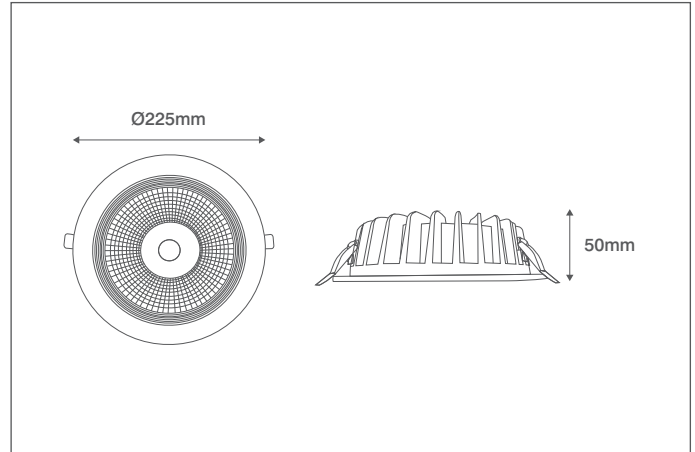
#### Middle East Helpline

1803 Lake Central Tower, Business Bay  
T: +971 4589 6552  
E: sales@scolmoredubai.com



Product Code: SDAL2042-30W6.5K

Description: 30W 225mm Diameter Circular Recessed LED Downlight - 6500K - White



### General Information

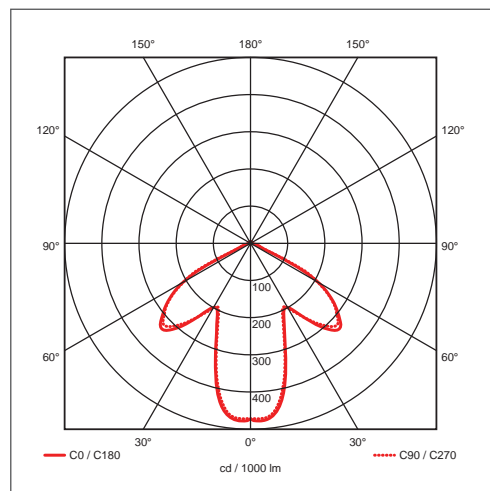
Dimensions	225mm Diameter x 50mm (D)
Materials	Body: Powdercoated Aluminium Diffuser: Glass
Finish	White (RAL 9003)
Product Weight	0.8Kg
Cutout	200mm-205mm Diameter
Dimmable	No
Ingress Protection	IP20
IK Rating	IK06
Warranty	2 Years

### Supply & Power

Input Voltage & Frequency	220-240V~ 50/60Hz
Electrical Safety	Class II (Double Insulated)
LED Wattage	30W
Circuit Wattage	30W
Input Current	270-275mA
Power Factor	>0.5
Ambient Temperature (Ta)	-25°C - +45°C
Critical Temperature	+90°C
LED Driver	Remote Driver Supplied
Energy Class	A+

### Luminaire Output

Colour Temperature	6500K
CRI	>80
Typical Luminous Flux	3000lm
Efficacy	100lm/W
Beam Angle	120°
LED Lifetime (L70)	25,000 Hours
Flicker Free	No
Energy Class	A+



#### United Kingdom

Scolmore House, Mariner, Lichfield Road Industrial Estate  
B79 7UL Tamworth, Staffordshire

T: +44 (0) 182763454 | W: scolmore.com | W: oviaUK.com

#### Middle East Helpline

1803 Lake Central Tower, Business Bay

T: +971 4589 6552

E: sales@scolmoredubai.com



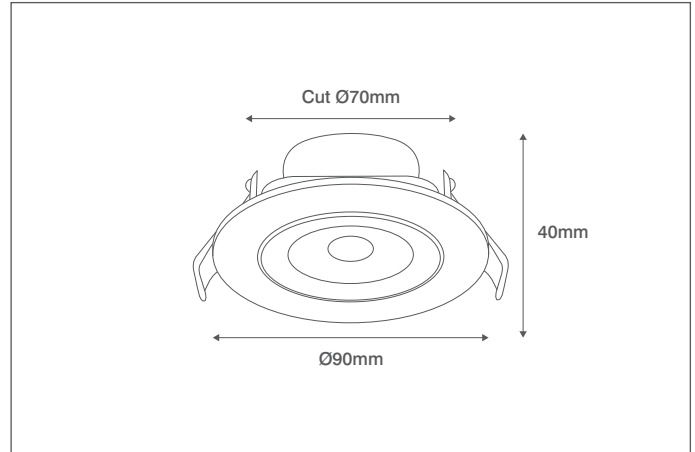


# MELI SOL

## Technical Specification

Product Code: SDDL1105-7W3K75MM

Description: 7W 90mm Diameter Adjustable LED Spotlight - 3000K - White



### General Information

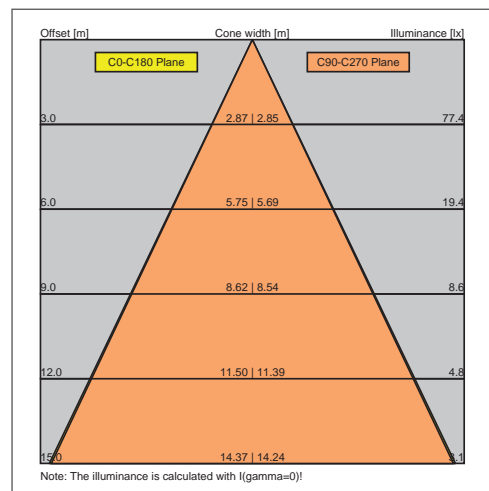
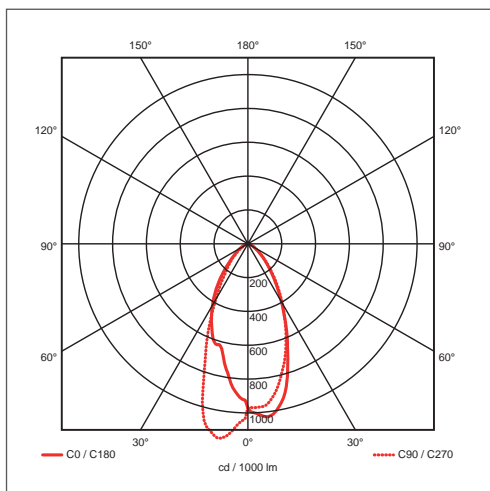
Dimensions	90mm Diameter x 40mm (D)
Materials	Bezel & Body: PBT Diffuser: Polycarbonate
Finish	White
Product Weight	0.15Kg
Cutout	70mm-75mm Diameter
Dimmable	No
Ingress Protection	IP20
Warranty	1 Year

### Supply & Power

Input Voltage & Frequency	220-240V~ 50/60Hz
Electrical Safety	Class II (Double Insulated)
LED Wattage	7W
Circuit Wattage	7W
Input Current	53mA
Inrush Current	10A (<5ms)
Power Factor	>0.5
Ambient Temperature (Ta)	-25°C - +45°C
Critical Temperature	+90°C
LED Driver	Integrated
Energy Class	A+

### Luminaire Output

Colour Temperature	3000K
CRI	> 80
Typical Luminous Flux	560lm
Efficacy	80lm/W
Beam Angle	38°
LED Lifetime (L70)	15,000 Hours
Flicker Free	No
Adjustable Angle	30°
Energy Class	A+



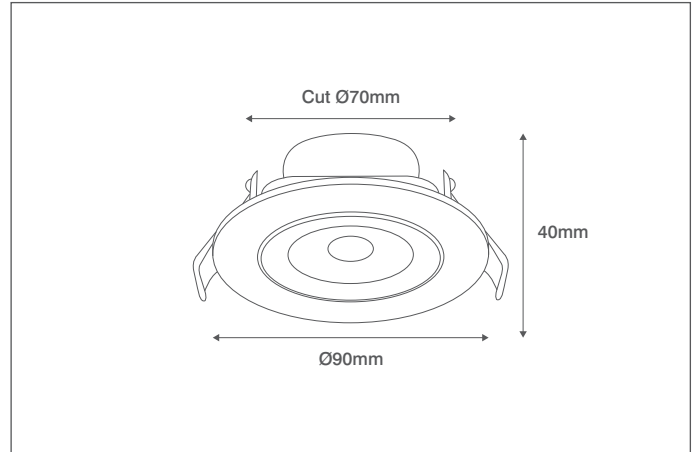
#### United Kingdom

Scolmore House, Mariner, Lichfield Road Industrial Estate  
B79 7UL Tamworth, Staffordshire  
T: +44 (0) 182763454 | W: scolmore.com | W: oviaUK.com

#### Middle East Helpline

1803 Lake Central Tower, Business Bay  
T: +971 4589 6552  
E: sales@scolmoredubai.com





### General Information

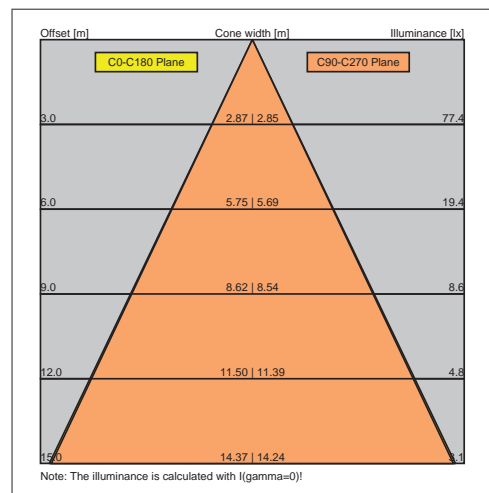
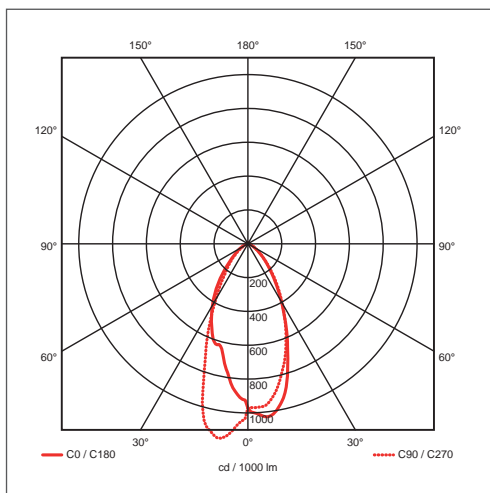
Dimensions	90mm Diameter x 40mm (D)
Materials	Bezel & Body: PBT Diffuser: Polycarbonate
Finish	White
Product Weight	0.15Kg
Cutout	70mm-75mm Diameter
Dimmable	No
Ingress Protection	IP20
Warranty	1 Year

### Supply & Power

Input Voltage & Frequency	220-240V~ 50/60Hz
Electrical Safety	Class II (Double Insulated)
LED Wattage	7W
Circuit Wattage	7W
Input Current	53mA
Inrush Current	10A (<5ms)
Power Factor	>0.5
Ambient Temperature (Ta)	-25°C - +45°C
Critical Temperature	+90°C
LED Driver	Integrated
Energy Class	A+

### Luminaire Output

Colour Temperature	6500K
CRI	> 80
Typical Luminous Flux	560lm
Efficacy	80lm/W
Beam Angle	38°
LED Lifetime (L70)	15,000 Hours
Flicker Free	No
Adjustable Angle	30°
Energy Class	A+



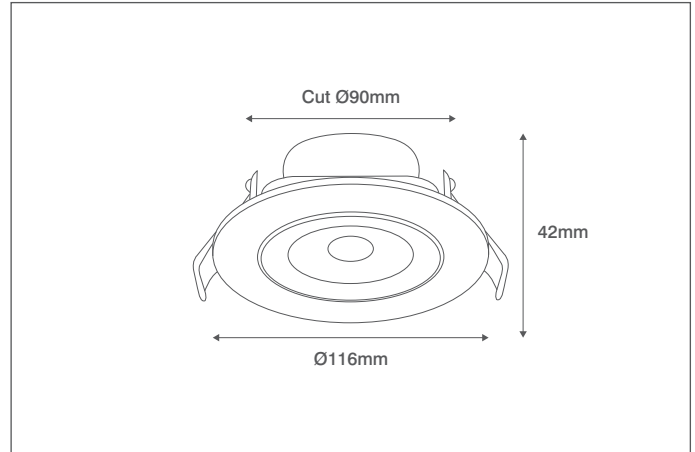
#### United Kingdom

Scolmore House, Mariner, Lichfield Road Industrial Estate  
B79 7UL Tamworth, Staffordshire  
T: +44 (0) 182763454 | W: scolmore.com | W: oviaUK.com

#### Middle East Helpline

1803 Lake Central Tower, Business Bay  
T: +971 4589 6552  
E: sales@scolmoredubai.com





### General Information

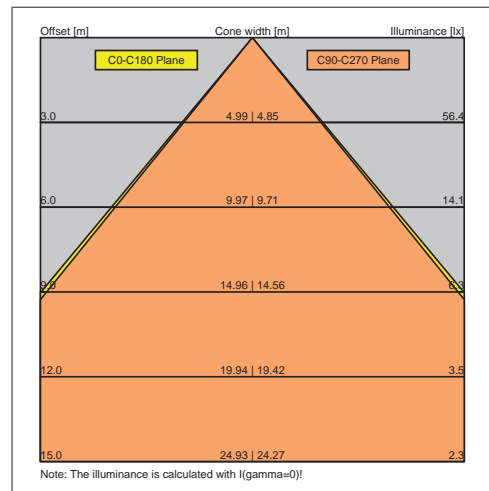
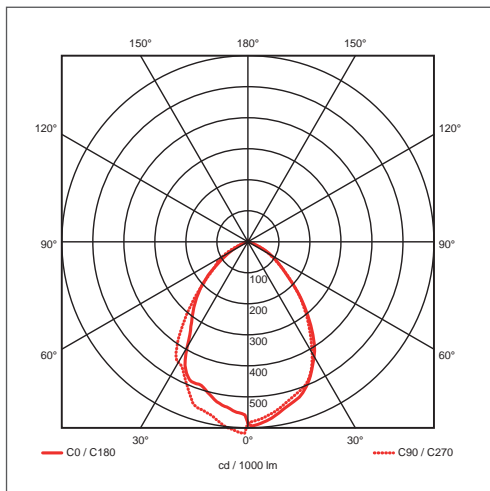
Dimensions	116mm Diameter x 42mm (D)
Materials	Bezel & Body: PBT Diffuser: Polycarbonate
Finish	White
Product Weight	0.12Kg
Cutout	90mm-95mm Diameter
Dimmable	No
Ingress Protection	IP20
Warranty	1 Year

### Supply & Power

Input Voltage & Frequency	220-240V~ 50/60Hz
Electrical Safety	Class II (Double Insulated)
LED Wattage	10W
Circuit Wattage	10W
Input Current	78mA
Inrush Current	10A (<5ms)
Power Factor	>0.5
Ambient Temperature (Ta)	-25°C - +45°C
Critical Temperature	+90°C
LED Driver	Integrated
Energy Class	A+

### Luminaire Output

Colour Temperature	3000K
CRI	> 80
Typical Luminous Flux	800lm
Efficacy	80lm/W
Beam Angle	38°
LED Lifetime (L70)	15,000 Hours
Flicker Free	No
Adjustable Angle	30°
Energy Class	A+



#### United Kingdom

Scolmore House, Mariner, Lichfield Road Industrial Estate  
B79 7UL Tamworth, Staffordshire  
T: +44 (0) 182763454 | W: scolmore.com | W: oviaUK.com

#### Middle East Helpline

1803 Lake Central Tower, Business Bay  
T: +971 4589 6552  
E: sales@scolmoredubai.com

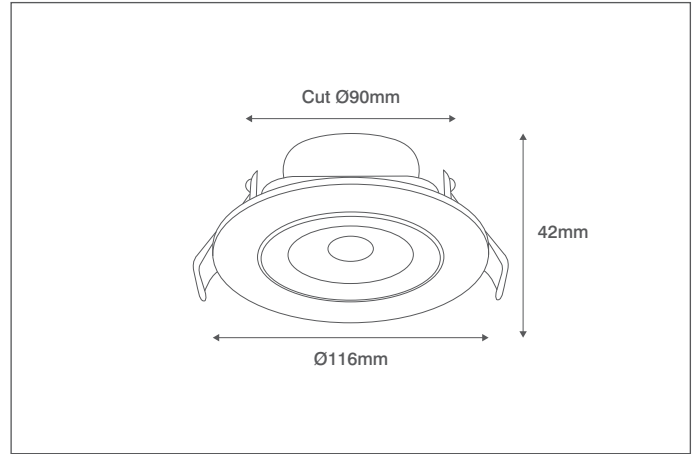


# MELI SOL

## Technical Specification

Product Code: SDDL1105-10W6.5K

Description: 10W 116mm Diameter Adjustable LED Spotlight - 6500K - White



### General Information

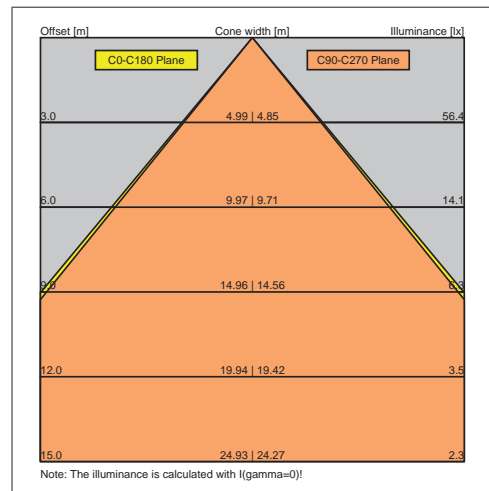
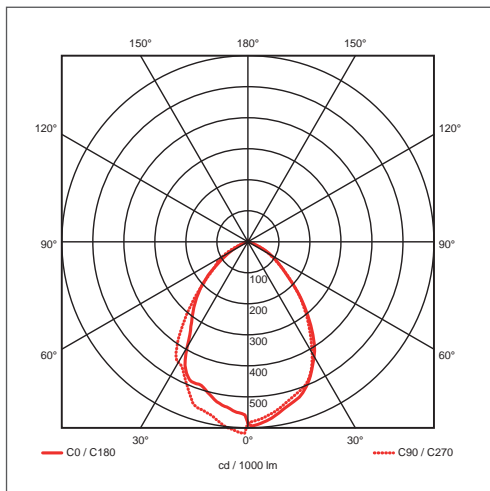
Dimensions	116mm Diameter x 42mm (D)
Materials	Bezel & Body: PBT Diffuser: Polycarbonate
Finish	White
Product Weight	0.12Kg
Cutout	90mm-95mm Diameter
Dimmable	No
Ingress Protection	IP20
Warranty	1 Year

### Supply & Power

Input Voltage & Frequency	220-240V~ 50/60Hz
Electrical Safety	Class II (Double Insulated)
LED Wattage	10W
Circuit Wattage	10W
Input Current	78mA
Inrush Current	10A (<5ms)
Power Factor	>0.5
Ambient Temperature (Ta)	-25°C - +45°C
Critical Temperature	+90°C
LED Driver	Integrated
Energy Class	A+

### Luminaire Output

Colour Temperature	6500K
CRI	>80
Typical Luminous Flux	800lm
Efficacy	80lm/W
Beam Angle	38°
LED Lifetime (L70)	15,000 Hours
Flicker Free	No
Adjustable Angle	30°
Energy Class	A+



#### United Kingdom

Scolmore House, Mariner, Lichfield Road Industrial Estate  
B79 7UL Tamworth, Staffordshire  
T: +44 (0) 182763454 | W: scolmore.com | W: oviaUK.com

#### Middle East Helpline

1803 Lake Central Tower, Business Bay  
T: +971 4589 6552  
E: sales@scolmoredubai.com

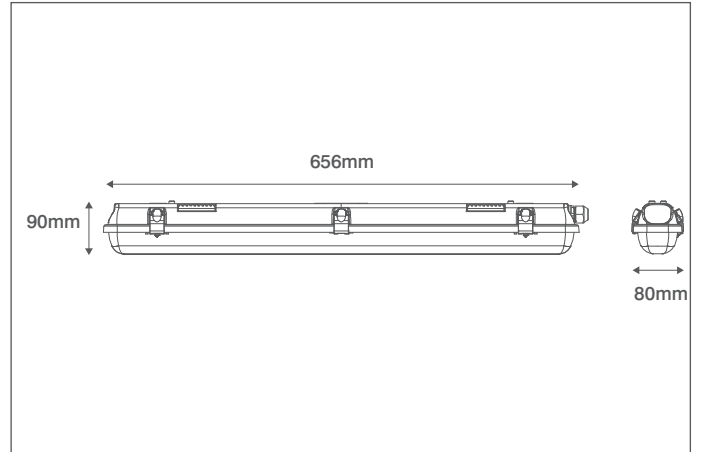


# MELI LINEAR

## Technical Specification

Product Code: SDF302-1X9-S6K

Description: 1 x 9W Linear LED Luminaire (With Tube) - 6500K - IP65



### General Information

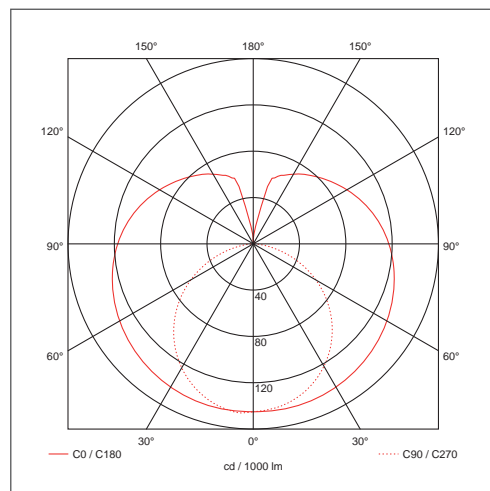
Dimensions	656mm (L) x 80mm (W) x 90mm (D)
Materials	Base: Polycarbonate Diffuser: Polycarbonate
Base Finish	Light Grey
Product Weight	0.595Kg
Dimmable	No
Ingress Protection	IP65
IK Rating	IK08
Mounting	Ceiling or Wall
Warranty	2 Years

### Supply & Power

Input Voltage & Frequency	220-240V ~ 50/60Hz
Electrical Safety	Class II (Double Insulated)
LED Wattage	9W
Circuit Wattage	9W
Input Current	70mA
Power Factor	>0.5
Ambient Temperature (Ta)	-20°C - +50°C

### Luminaire Output

Colour Temperature	6500K
CRI	>80
Typical Luminous Flux	900lm
Efficacy	100lm/W
Beam Angle	110°
LED Lifetime (L70)	25,000 Hours
Flicker Free	No



#### United Kingdom

Scolmore House, Mariner, Lichfield Road Industrial Estate  
B79 7UL Tamworth, Staffordshire

T: +44 (0) 182763454 | W: scolmore.com | W: oviaUK.com

#### Middle East Helpline

1803 Lake Central Tower, Business Bay

T: +971 4589 6552

E: sales@scolmoredubai.com

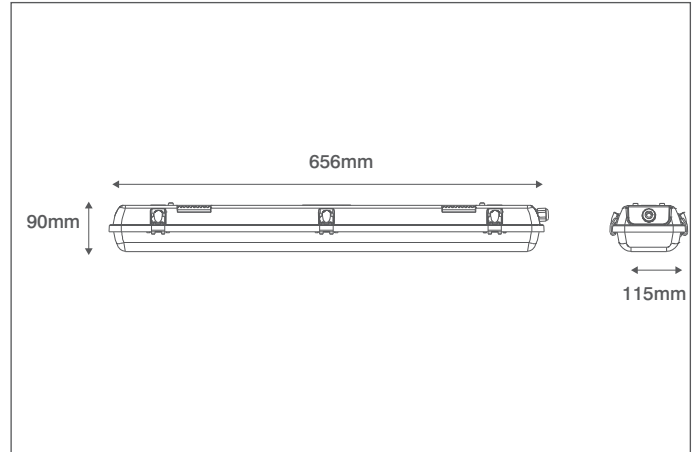


# MELI LINEAR

## Technical Specification

Product Code: SDF302-2X9-D6K

Description: 18W (2 x 9W) Linear LED Luminaire (With Tubes) - 6500K - IP65



### General Information

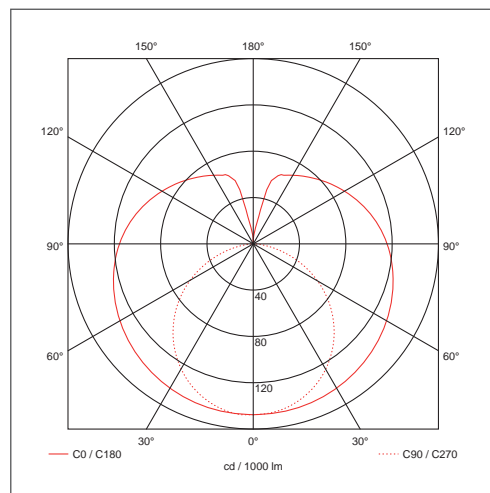
Dimensions	656mm (L) x 115mm (W) x 90mm (D)
Materials	Base: Polycarbonate Diffuser: Polycarbonate
Base Finish	Light Grey
Product Weight	0.91Kg
Dimmable	No
Ingress Protection	IP65
IK Rating	IK08
Mounting	Ceiling or Wall
Warranty	2 Years

### Supply & Power

Input Voltage & Frequency	220-240V ~ 50/60Hz
Electrical Safety	Class II (Double Insulated)
LED Wattage	18W
Circuit Wattage	18W
Input Current	140mA
Power Factor	>0.5
Ambient Temperature (Ta)	-20°C - +50°C

### Luminaire Output

Colour Temperature	6500K
CRI	>80
Typical Luminous Flux	1800lm
Efficacy	100lm/W
Beam Angle	110°
LED Lifetime (L70)	25,000 Hours
Flicker Free	No



#### United Kingdom

Scolmore House, Mariner, Lichfield Road Industrial Estate  
B79 7UL Tamworth, Staffordshire  
T: +44 (0) 182763454 | W: scolmore.com | W: oviaUK.com

#### Middle East Helpline

1803 Lake Central Tower, Business Bay  
T: +971 4589 6552  
E: sales@scolmoredubai.com

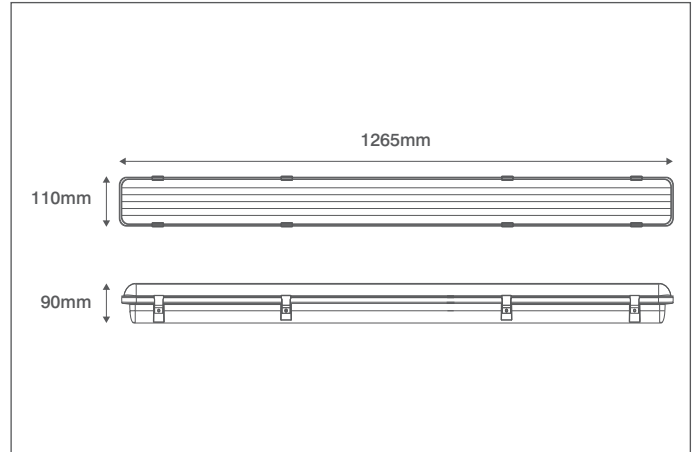


# MELI LINEAR

## Technical Specification

Product Code: SDF302-D6.5K

Description: 36W Linear LED Luminaire (With Tubes) - 6500K - IP65



### General Information

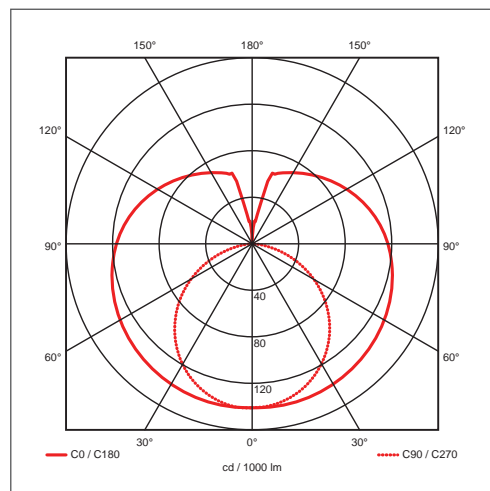
Dimensions	1265mm (L) x 110mm (W) x 90mm (D)
Materials	Base: Polycarbonate Diffuser: Polycarbonate
Base Finish	Light Grey
Product Weight	0.91Kg
Dimmable	No
Ingress Protection	IP65
IK Rating	IK08
Mounting	Ceiling or Wall
Warranty	2 Years

### Supply & Power

Input Voltage & Frequency	220-240V ~ 50/60Hz
Electrical Safety	Class II (Double Insulated)
LED Wattage	36W
Circuit Wattage	36W
Input Current	280mA
Power Factor	>0.5
Ambient Temperature (Ta)	-20°C - +50°C
Critical Temperature	+90°C
Energy Class	G

### Luminaire Output

Colour Temperature	6500K
CRI	>80
Typical Luminous Flux	2880lm
Efficacy	80lm/W
Beam Angle	110°
LED Lifetime (L70)	25,000 Hours
Flicker Free	No
Energy Class	G



#### United Kingdom

Scolmore House, Mariner, Lichfield Road Industrial Estate  
B79 7UL Tamworth, Staffordshire

T: +44 (0) 182763454 | W: scolmore.com | W: oviaUK.com

#### Middle East Helpline

1803 Lake Central Tower, Business Bay

T: +971 4589 6552

E: sales@scolmoredubai.com

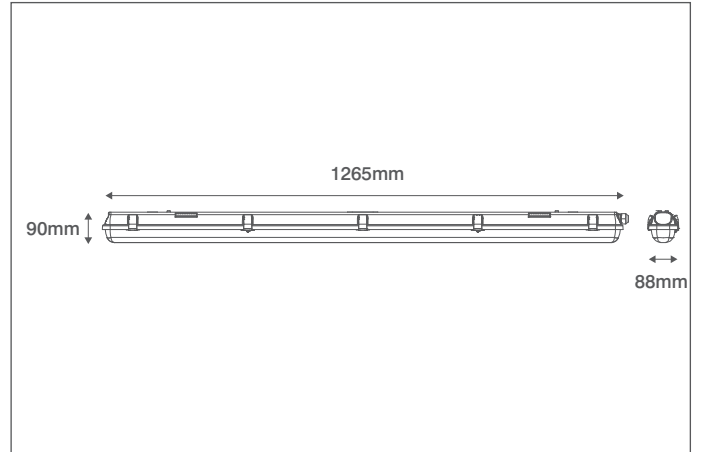


# MELI LINEAR

## Technical Specification

Product Code: SDF302-S6.5K

Description: 18W Linear Utility LED Luminaire (With Tube) - 6500K - IP65



### General Information

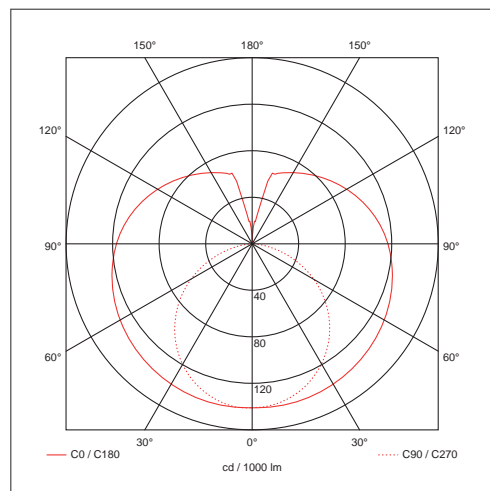
Dimensions	1265mm (L) x 88mm (W) x 90mm (D)
Materials	Base: Polycarbonate Diffuser: Polycarbonate
Base Finish	Light Grey
Product Weight	0.595Kg
Dimmable	No
Ingress Protection	IP65
IK Rating	IK08
Mounting	Ceiling or Wall
Warranty	2 Years

### Supply & Power

Input Voltage & Frequency	220-240V ~ 50/60Hz
Electrical Safety	Class II (Double Insulated)
LED Wattage	18W
Circuit Wattage	18W
Input Current	140mA
Power Factor	>0.5
Ambient Temperature (Ta)	-20°C - +50°C
Energy Class	G

### Luminaire Output

Colour Temperature	6500K
CRI	>80
Typical Luminous Flux	1550lm
Efficacy	85lm/W
Beam Angle	110°
LED Lifetime (L70)	25,000 Hours
Flicker Free	No
Energy Class	G



#### United Kingdom

Scolmore House, Mariner, Lichfield Road Industrial Estate  
B79 7UL Tamworth, Staffordshire

T: +44 (0) 182763454 | W: scolmore.com | W: oviaUK.com

#### Middle East Helpline

1803 Lake Central Tower, Business Bay

T: +971 4589 6552

E: sales@scolmoredubai.com



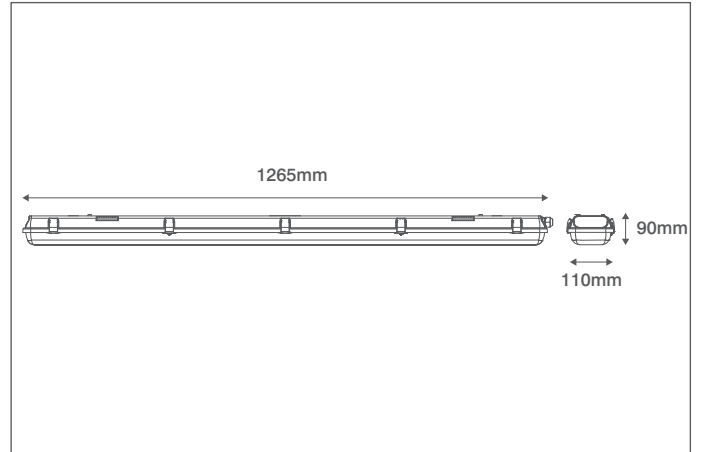


# MELI LINEAR

## Technical Specification

Product Code: SDF508-Double

Description: 36W (2 x 18W) Linear LED Luminaire (With Tubes) - 6500K - IP65



### General Information

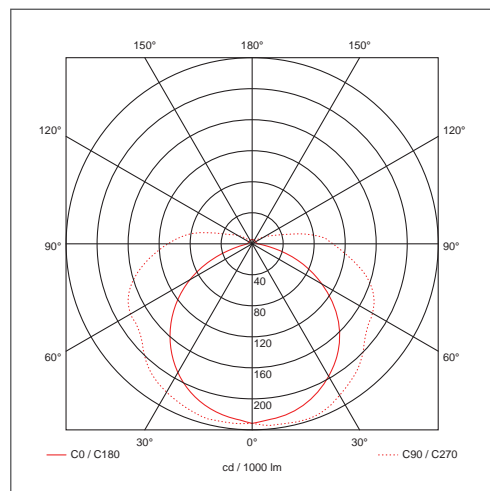
Dimensions	1265mm (L) x 110mm (W) x 90mm (D)
Materials	Base: Polycarbonate Diffuser: Polycarbonate
Base Finish	Light Grey
Product Weight	1.46Kg
Dimmable	No
Ingress Protection	IP65
IK Rating	IK08
Mounting	Ceiling or Wall
Warranty	2 Years

### Supply & Power

Input Voltage & Frequency	220-240V ~ 50/60Hz
Electrical Safety	Class II (Double Insulated)
LED Wattage	36W
Circuit Wattage	36W
Input Current	280mA
Power Factor	>0.5
Ambient Temperature (Ta)	-20°C - +50°C
Critical Temperature	+90°C
Energy Class	G
Lamp Connection	Single Ended Connection

### Luminaire Output

Colour Temperature	6500K
CRI	>80
Typical Luminous Flux	2890lm
Efficacy	80lm/W
Beam Angle	110°
LED Lifetime (L70)	25,000 Hours
Flicker Free	No
Energy Class	G



#### United Kingdom

Scolmore House, Mariner, Lichfield Road Industrial Estate  
B79 7UL Tamworth, Staffordshire  
T: +44 (0) 182763454 | W: scolmore.com | W: oviaUK.com

#### Middle East Helpline

1803 Lake Central Tower, Business Bay  
T: +971 4589 6552  
E: sales@scolmoredubai.com

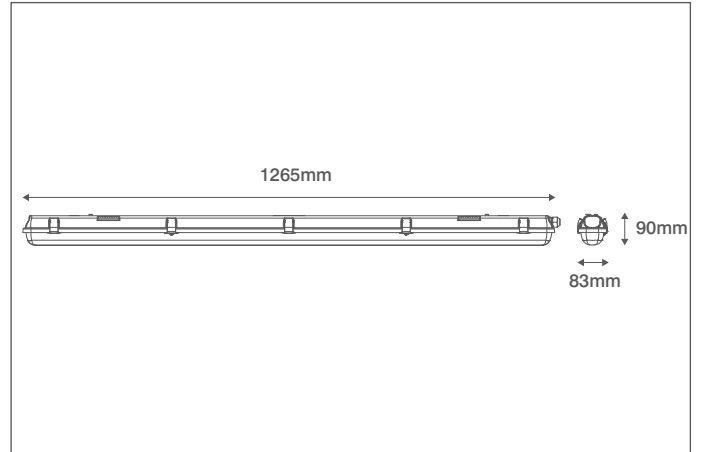
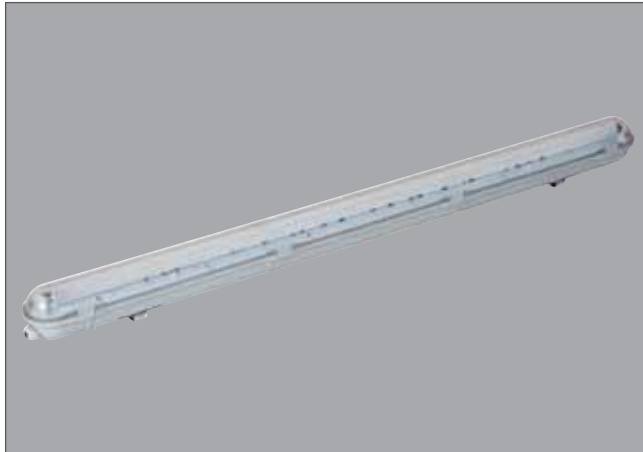


# MELI LINEAR

## Technical Specification

Product Code: SDF508-Single

Description: 18W Linear LED Luminaire (With Tube) - 6500K - IP65



### General Information

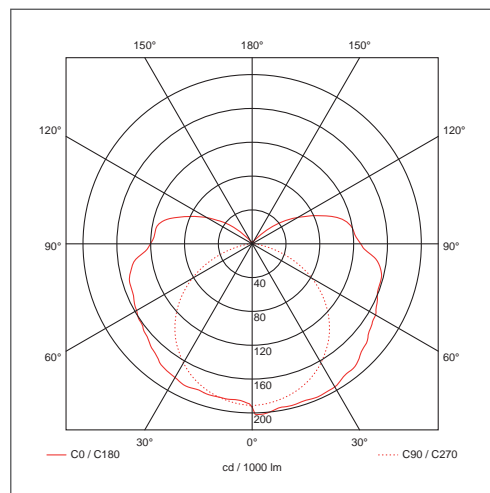
Dimensions	1265mm (L) x 83mm (W) x 90mm (D)
Materials	Base: Polycarbonate Diffuser: Polycarbonate
Base Finish	Light Grey
Product Weight	1.126Kg
Dimmable	No
Ingress Protection	IP65
IK Rating	IK08
Mounting	Ceiling or Wall
Warranty	2 Years

### Supply & Power

Input Voltage & Frequency	220-240V ~ 50/60Hz
Electrical Safety	Class II (Double Insulated)
LED Wattage	18W
Circuit Wattage	18W
Input Current	280mA
Power Factor	>0.5
Ambient Temperature (Ta)	-20°C - +50°C
Critical Temperature	+90°C
Energy Class	G
Lamp Connection	Single Ended Connection

### Luminaire Output

Colour Temperature	6500K
CRI	>80
Typical Luminous Flux	1550lm
Efficacy	85lm/W
Beam Angle	110°
LED Lifetime (L70)	25,000 Hours
Flicker Free	No
Energy Class	G



#### United Kingdom

Scolmore House, Mariner, Lichfield Road Industrial Estate  
B79 7UL Tamworth, Staffordshire

T: +44 (0) 182763454 | W: scolmore.com | W: oviaUK.com

#### Middle East Helpline

1803 Lake Central Tower, Business Bay

T: +971 4589 6552

E: sales@scolmoredubai.com

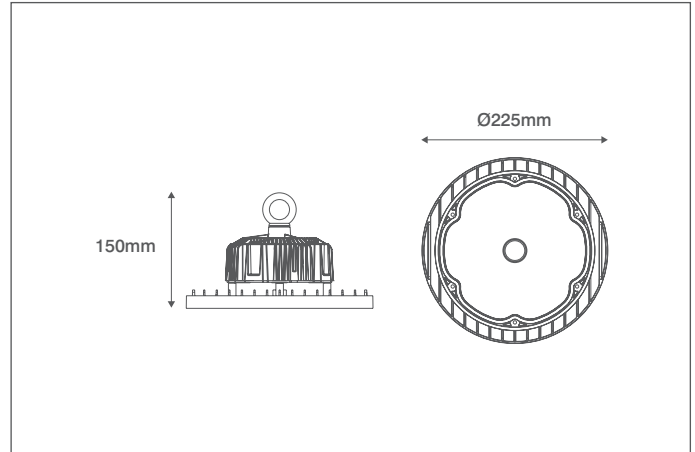


# MELI STONE

## Technical Specification

Product Code: SDHL11-100W6.5K

Description: 100W LED Highbay - IP65 - 6500K - Black



### General Information

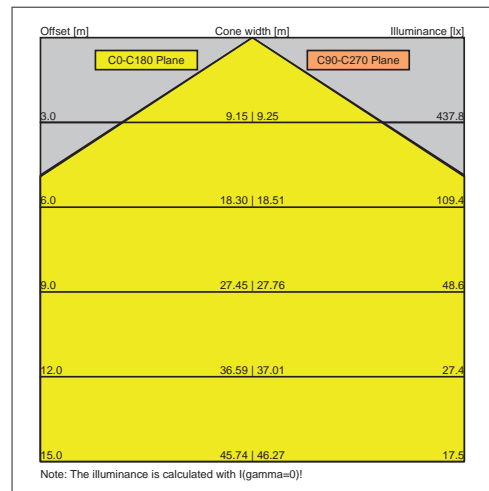
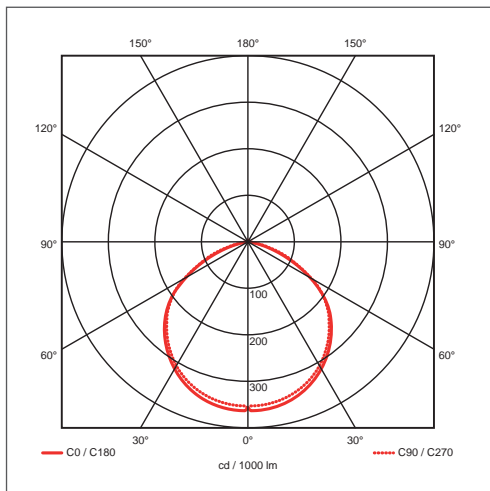
Dimensions	225mm Diameter x 150mm (D) (With Hook)
Materials	Body: Powdercoated Aluminium Diffuser: Polycarbonate
Finish	Black (RAL 9017)
Product Weight	2Kg
Dimmable	No
Ingress Protection	IP65
IK Rating	IK06
Warranty	2 Years

### Supply & Power

Input Voltage & Frequency	220-240V~ 50/60Hz
Electrical Safety	Class I
LED Wattage	100W
Circuit Wattage	100W
Input Current	465mA
Inrush Current	80A (350µs) @220Vac
Power Factor	>0.9
Ambient Temperature (Ta)	-25°C - +45°C
Critical Temperature	+90°C
LED Driver	Integrated
Energy Class	A+

### Luminaire Output

Colour Temperature	6500K
CRI	> 70
Typical Luminous Flux	10000lm
Efficacy	100lm/W
Beam Angle	110°
LED Lifetime (L70)	25,000 Hours
Flicker Free	Yes
Energy Class	A+



#### United Kingdom

Scolmore House, Mariner, Lichfield Road Industrial Estate  
B79 7UL Tamworth, Staffordshire  
T: +44 (0) 182763454 | W: scolmore.com | W: oviaUK.com

#### Middle East Helpline

1803 Lake Central Tower, Business Bay  
T: +971 4589 6552  
E: sales@scolmoredubai.com

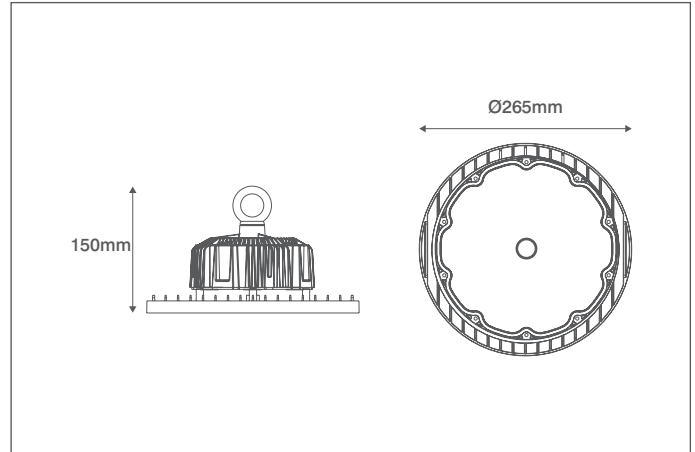


# MELI STONE

## Technical Specification

Product Code: SDHL11-150W6.5K

Description: 150W LED Highbay - IP65 - 6500K - Black



### General Information

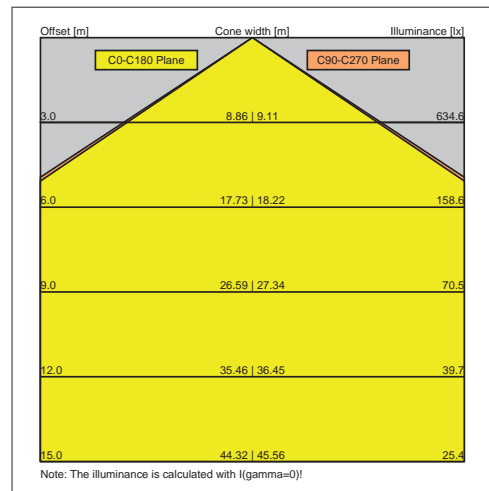
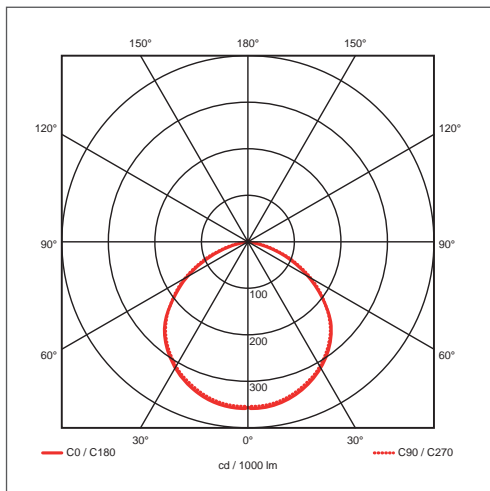
Dimensions	265mm Diameter x 150mm (D) (With Hook)
Materials	Body: Powdercoated Aluminium Diffuser: Polycarbonate
Finish	Black (RAL 9017)
Product Weight	2.5Kg
Dimmable	No
Ingress Protection	IP65
IK Rating	IK06
Warranty	2 Years

### Supply & Power

Input Voltage & Frequency	220-240V~ 50/60Hz
Electrical Safety	Class I
LED Wattage	150W
Circuit Wattage	150W
Input Current	695mA
Inrush Current	80A (350µs) @220Vac
Power Factor	>0.9
Ambient Temperature (Ta)	-25°C - +45°C
Critical Temperature	+90°C
LED Driver	Integrated
Energy Class	A+

### Luminaire Output

Colour Temperature	6500K
CRI	> 70
Typical Luminous Flux	15000lm
Efficacy	100lm/W
Beam Angle	110°
LED Lifetime (L70)	25,000 Hours
Flicker Free	Yes
Energy Class	A+



#### United Kingdom

Scolmore House, Mariner, Lichfield Road Industrial Estate  
B79 7UL Tamworth, Staffordshire  
T: +44 (0) 182763454 | W: scolmore.com | W: oviaUK.com

#### Middle East Helpline

1803 Lake Central Tower, Business Bay  
T: +971 4589 6552  
E: sales@scolmoredubai.com

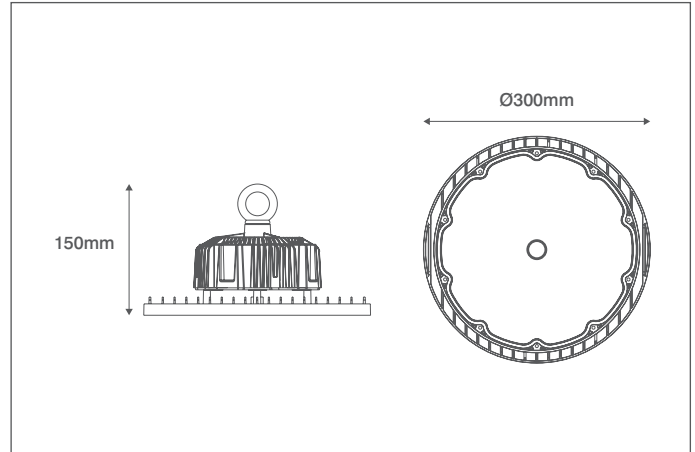


# MELI STONE

## Technical Specification

Product Code: SDHL11-200W6.5K

Description: 200W LED Highbay - IP65 - 6500K - Black



### General Information

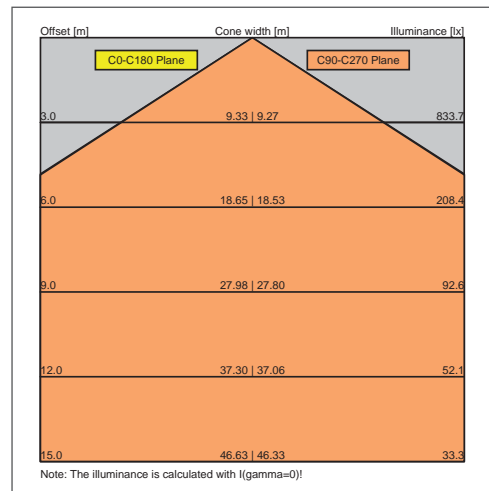
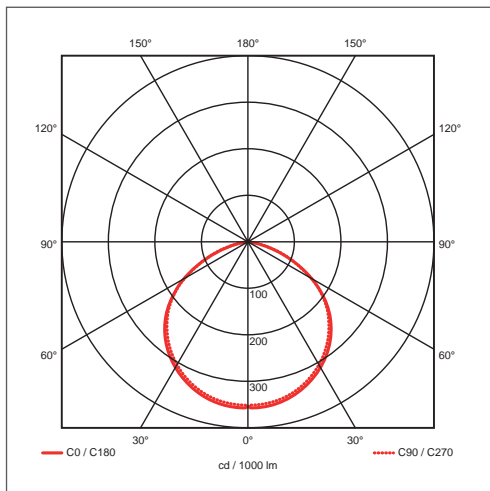
Dimensions	300mm Diameter x 150mm (D) (With Hook)
Materials	Body: Powdercoated Aluminium Diffuser: Polycarbonate
Finish	Black (RAL 9017)
Product Weight	3.1Kg
Dimmable	No
Ingress Protection	IP65
IK Rating	IK06
Warranty	2 Years

### Supply & Power

Input Voltage & Frequency	220-240V~ 50/60Hz
Electrical Safety	Class I
LED Wattage	200W
Circuit Wattage	200W
Input Current	930mA
Inrush Current	80A (350µs) @220Vac
Power Factor	>0.9
Ambient Temperature (Ta)	-25°C - +45°C
Critical Temperature	+90°C
LED Driver	Integrated
Energy Class	A+

### Luminaire Output

Colour Temperature	6500K
CRI	> 70
Typical Luminous Flux	20000lm
Efficacy	100lm/W
Beam Angle	110°
LED Lifetime (L70)	25,000 Hours
Flicker Free	Yes
Energy Class	A+



#### United Kingdom

Scolmore House, Mariner, Lichfield Road Industrial Estate  
B79 7UL Tamworth, Staffordshire  
T: +44 (0) 182763454 | W: scolmore.com | W: oviaUK.com

#### Middle East Helpline

1803 Lake Central Tower, Business Bay  
T: +971 4589 6552  
E: sales@scolmoredubai.com

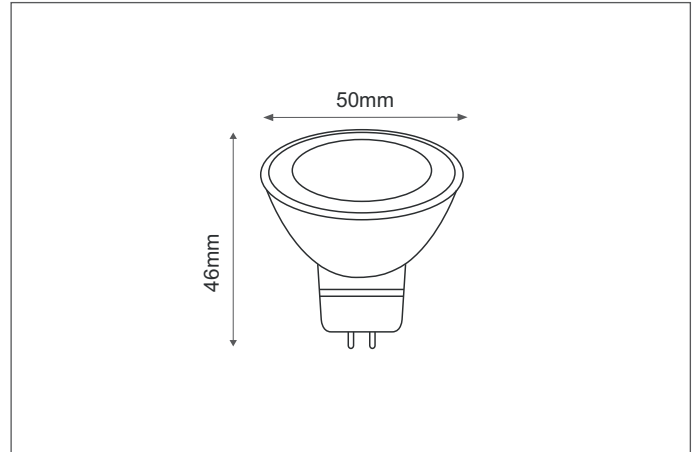


# MELI LAMPS

## Technical Specification

Product Code: SDLC101-8W-L3-G5

Description: 8W MR16 LED Non-Dimmable Lamp (Frosted Glass)



### General Information

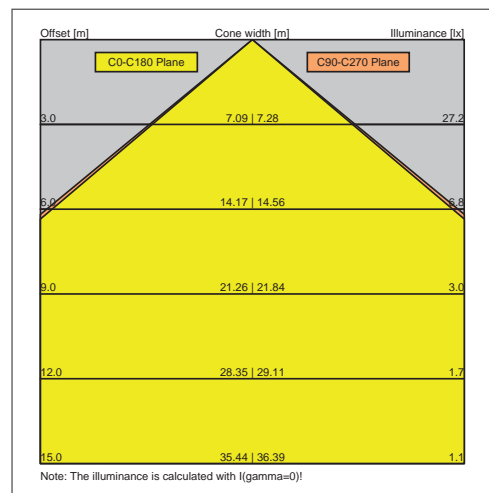
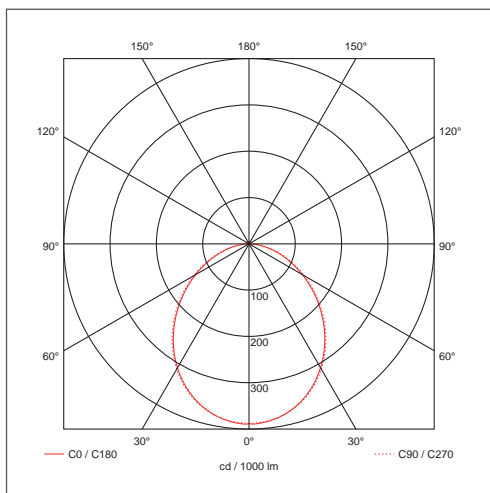
Dimensions	50mm Diameter x 46mm (D)
Product Weight	0.48Kg
Dimmable	No
Ingress Protection	IP20
Warranty	1 Year

### Supply & Power

Input Voltage & Frequency	12V DC
Electrical Safety	Class III (SELV)
LED Wattage	8W
Circuit Wattage	8W
Input Current	63mA
Power Factor	>0.5
Ambient Temperature (Ta)	25°C
LED Driver	12V DC Required
Energy Class	G

### Lamp Output

Colour Temperature	6500K
CRI	>80
Typical Luminous Flux	620lm
Efficacy	80lm/W
Beam Angle	38°
LED Lifetime (L70)	15,000 Hours
Flicker Free	No
Energy Class	G



#### United Kingdom

Scolmore House, Mariner, Lichfield Road Industrial Estate  
B79 7UL Tamworth, Staffordshire  
T: +44 (0) 182763454 | W: scolmore.com | W: oviaUK.com

#### Middle East Helpline

1803 Lake Central Tower, Business Bay  
T: +971 4589 6552  
E: sales@scolmoredubai.com

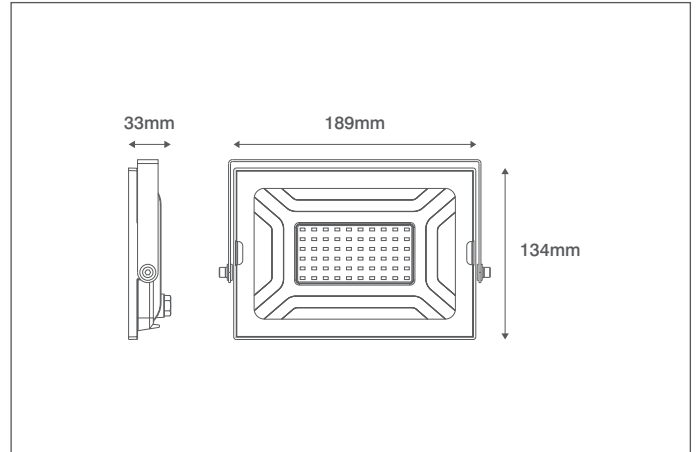
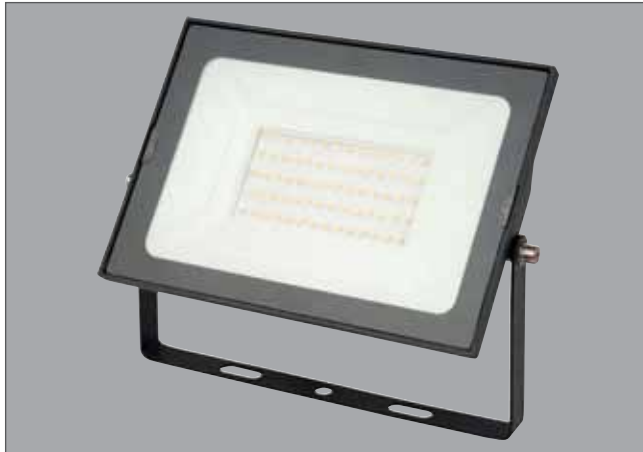


# MELI FLOOD

## Technical Specification

Product Code: SDLG187-50W5LM

Description: 50W LED Floodlight - IP65 - 6500K - Black



### General Information

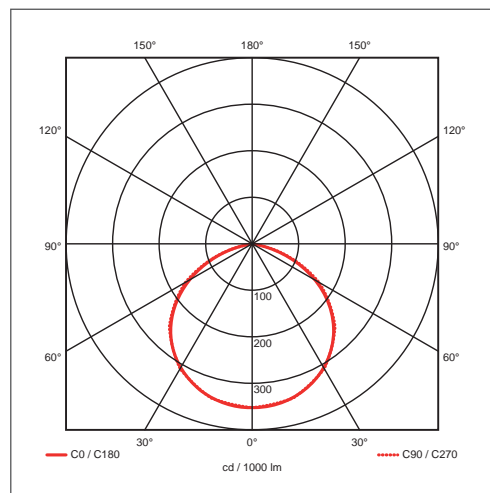
Dimensions	189mm (W) x 134mm (H) x 33mm (D)
Materials	Body: Powdercoated Aluminium Diffuser: Glass
Finish	Black
Product Weight	0.55Kg
Dimmable	No
Ingress Protection	IP65
IK Rating	IK06
Warranty	2 Years

### Supply & Power

Input Voltage & Frequency	220-240V ~ 50/60Hz
Electrical Safety	Class I
LED Wattage	50W
Circuit Wattage	50W
Input Current	200mA
Power Factor	>0.9
Ambient Temperature (Ta)	-25°C - +40°C
Critical Temperature	+100°C
Input Mains Cable	3 x 1mm <sup>2</sup> H05-RNF (150mm)
Energy Class	A+

### Luminaire Output

Colour Temperature	6500K
CRI	>80
Typical Luminous Flux	5000lm
Efficacy	100lm/W
Beam Angle	110°
LED Lifetime (L70)	25,000 Hours
Flicker Free	No
Energy Class	A+



#### United Kingdom

Scolmore House, Mariner, Lichfield Road Industrial Estate  
B79 7UL Tamworth, Staffordshire

T: +44 (0) 182763454 | W: scolmore.com | W: oviaUK.com

#### Middle East Helpline

1803 Lake Central Tower, Business Bay

T: +971 4589 6552

E: sales@scolmoredubai.com

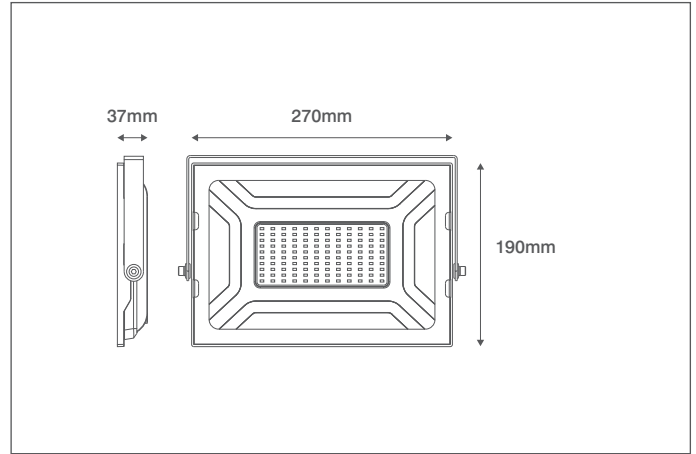


# MELI FLOOD

## Technical Specification

Product Code: SDLG187-100W10LM

Description: 100W LED Floodlight - IP65 - 6500K - Black



### General Information

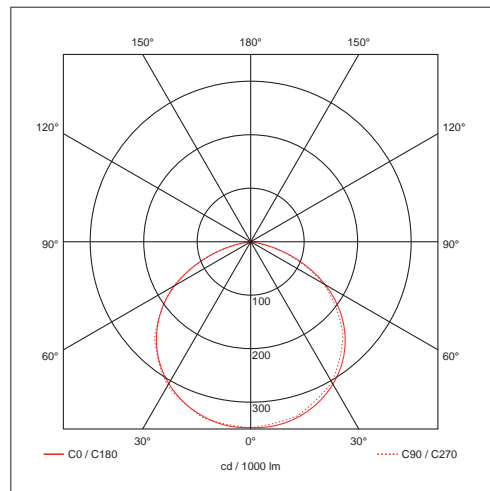
Dimensions	270mm (W) x 190mm (H) x 37mm (D)
Materials	Body: Powdercoated Aluminium Diffuser: Glass
Finish	Black
Product Weight	1Kg
Dimmable	No
Ingress Protection	IP65
IK Rating	IK06
Warranty	2 Years

### Supply & Power

Input Voltage & Frequency	220-240V ~ 50/60Hz
Electrical Safety	Class I
LED Wattage	100W
Circuit Wattage	100W
Input Current	400mA
Power Factor	>0.9
Ambient Temperature (Ta)	-25°C - +40°C
Critical Temperature	+100°C
Input Mains Cable	3 x 1mm <sup>2</sup> H05-RNF (150mm)
Energy Class	A+

### Luminaire Output

Colour Temperature	6500K
CRI	>80
Typical Luminous Flux	10000lm
Efficacy	100lm/W
Beam Angle	110°
LED Lifetime (L70)	25,000 Hours
Flicker Free	No
Energy Class	A+



#### United Kingdom

Scolmore House, Mariner, Lichfield Road Industrial Estate  
B79 7UL Tamworth, Staffordshire  
T: +44 (0) 182763454 | W: scolmore.com | W: oviaUK.com

#### Middle East Helpline

1803 Lake Central Tower, Business Bay  
T: +971 4589 6552  
E: sales@scolmoredubai.com



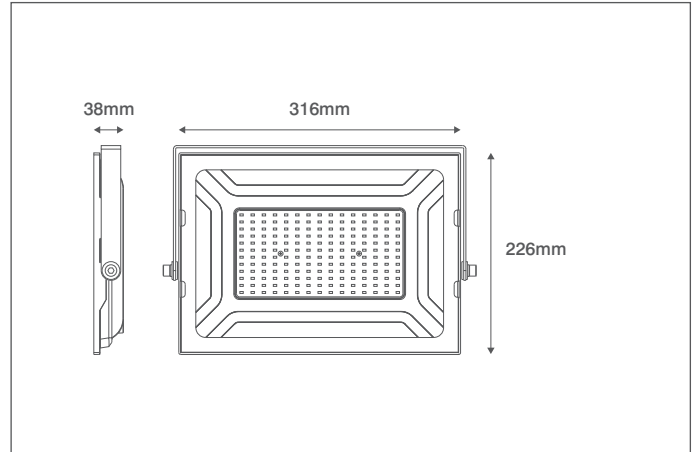


# MELI FLOOD

## Technical Specification

Product Code: SDLG187-150W15LM

Description: 150W LED Floodlight - IP65 - 6500K - Black



### General Information

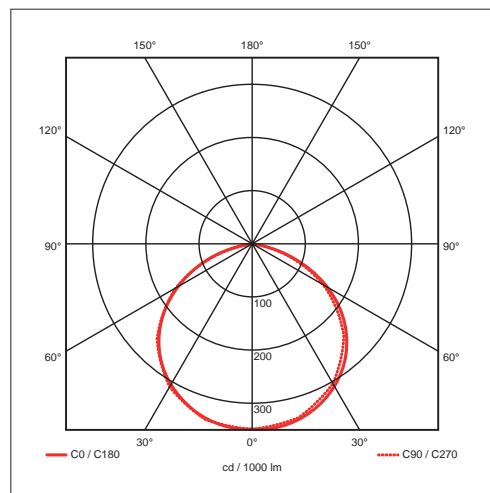
Dimensions	316mm (W) x 226mm (H) x 38mm (D)
Materials	Body: Powdercoated Aluminium Diffuser: Glass
Finish	Black
Product Weight	1.7Kg
Dimmable	No
Ingress Protection	IP65
IK Rating	IK06
Warranty	2 Years

### Supply & Power

Input Voltage & Frequency	220-240V ~ 50/60Hz
Electrical Safety	Class I
LED Wattage	150W
Circuit Wattage	150W
Input Current	600mA
Power Factor	>0.9
Ambient Temperature (Ta)	-25°C - +40°C
Critical Temperature	+100°C
Input Mains Cable	3 x 1mm <sup>2</sup> H05-RNF (150mm)
Energy Class	A+

### Luminaire Output

Colour Temperature	6500K
CRI	>80
Typical Luminous Flux	15000lm
Efficacy	100lm/W
Beam Angle	110°
LED Lifetime (L70)	25,000 Hours
Flicker Free	No
Energy Class	A+



#### United Kingdom

Scolmore House, Mariner, Lichfield Road Industrial Estate  
B79 7UL Tamworth, Staffordshire

T: +44 (0) 182763454 | W: scolmore.com | W: oviaUK.com

#### Middle East Helpline

1803 Lake Central Tower, Business Bay

T: +971 4589 6552

E: sales@scolmoredubai.com

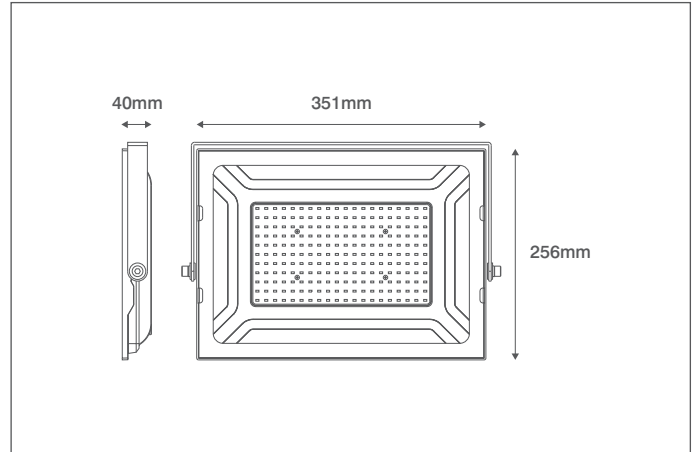
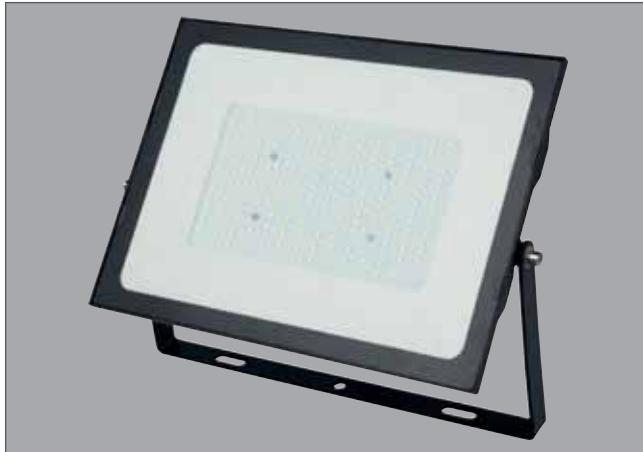


# MELI FLOOD

## Technical Specification

Product Code: SDLG187-200W20LM

Description: 200W LED Floodlight - IP65 - 6500K - Black



### General Information

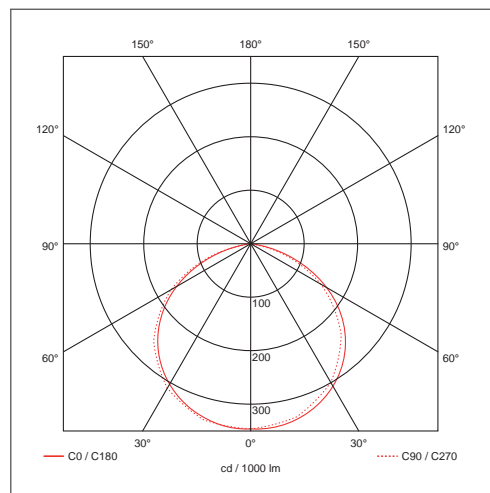
Dimensions	351mm (W) x 256mm (H) x 40mm (D)
Materials	Body: Powdercoated Aluminium Diffuser: Glass
Finish	Black
Product Weight	2.2Kg
Dimmable	No
Ingress Protection	IP65
IK Rating	IK06
Warranty	2 Years

### Supply & Power

Input Voltage & Frequency	220-240V ~ 50/60Hz
Electrical Safety	Class I
LED Wattage	200W
Circuit Wattage	200W
Input Current	800mA
Power Factor	>0.9
Ambient Temperature (Ta)	-25°C - +40°C
Critical Temperature	+100°C
Input Mains Cable	3 x 1mm <sup>2</sup> H05-RNF (150mm)
Energy Class	A+

### Luminaire Output

Colour Temperature	6500K
CRI	>80
Typical Luminous Flux	20000lm
Efficacy	100lm/W
Beam Angle	110°
LED Lifetime (L70)	25,000 Hours
Flicker Free	No
Energy Class	A+



#### United Kingdom

Scolmore House, Mariner, Lichfield Road Industrial Estate  
B79 7UL Tamworth, Staffordshire  
T: +44 (0) 182763454 | W: scolmore.com | W: oviaUK.com

#### Middle East Helpline

1803 Lake Central Tower, Business Bay  
T: +971 4589 6552  
E: sales@scolmoredubai.com

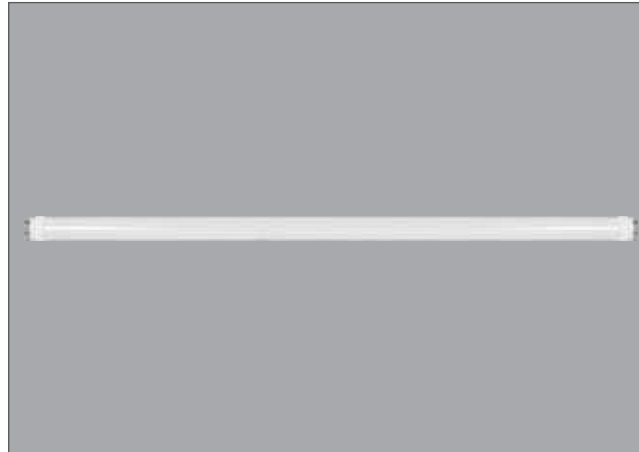


# MELI LAMPS

## Technical Specification

Product Code: SDLT101-18W-120LM/W

Description: 18W T8 LED Lamp - 6500K



### General Information

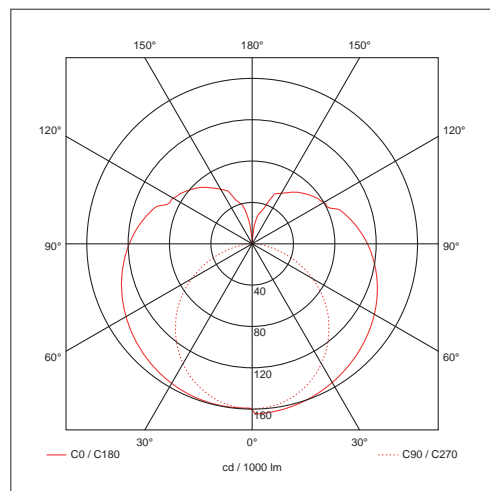
Dimensions	1213mm x 28mm Diameter
Product Weight	0.17Kg
Dimmable	No
Ingress Protection	IP20
Warranty	1 Year

### Supply & Power

Input Voltage & Frequency	230V ~ 50/60Hz
Electrical Safety	Class II (Double Insulated)
LED Wattage	18W
Circuit Wattage	18W
Input Current	90mA
Power Factor	>0.5
Ambient Temperature (Ta)	25°C
Energy Class	F
Lamp Connection	Single Ended Connection

### Lamp Output

Colour Temperature	6500K
CRI	>80
Typical Luminous Flux	2200lm
Efficacy	120lm/W
Beam Angle	200°
LED Lifetime (L70)	15,000 Hours
Flicker Free	No
Energy Class	F



#### United Kingdom

Scolmore House, Mariner, Lichfield Road Industrial Estate  
B79 7UL Tamworth, Staffordshire

T: +44 (0) 182763454 | W: scolmore.com | W: oviaUK.com

#### Middle East Helpline

1803 Lake Central Tower, Business Bay

T: +971 4589 6552

E: sales@scolmoredubai.com

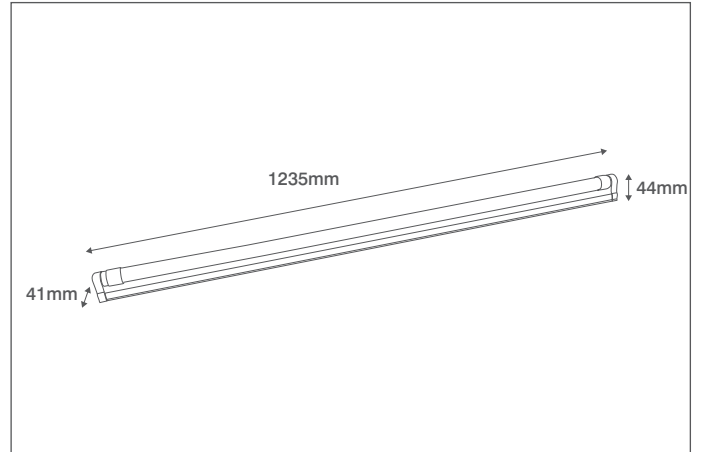
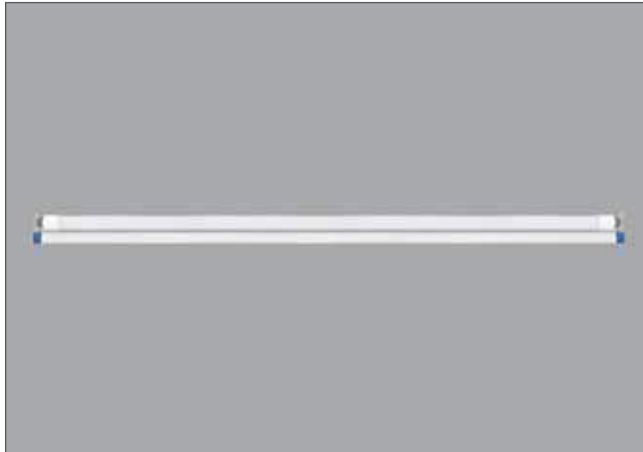


# MELI LINEAR

## Technical Specification

Product Code: SDLU2052-S1X18

Description: 18W Linear LED Batten (With Tube) - 6500K - IP20



### General Information

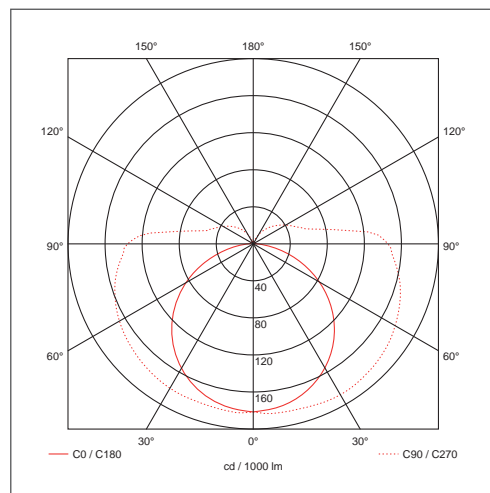
Dimensions	1235mm (L) x 41mm (W) x 44mm (D)
Materials	Base: Powdercoated Steel
Base Finish	White
Product Weight	0.53Kg
Dimmable	No
Ingress Protection	IP20
Mounting	Ceiling or Wall
Warranty	2 Years

### Supply & Power

Input Voltage & Frequency	230V ~ 50/60Hz
Electrical Safety	Class I
LED Wattage	18W
Circuit Wattage	18W
Input Current	90mA
Power Factor	>0.5
Ambient Temperature (Ta)	25°C
Energy Class	F

### Luminaire Output

Colour Temperature	6500K
CRI	>80
Typical Luminous Flux	1900lm
Efficacy	105lm/W
Beam Angle	200°
LED Lifetime (L70)	15,000 Hours
Flicker Free	No
Energy Class	F



#### United Kingdom

Scolmore House, Mariner, Lichfield Road Industrial Estate  
B79 7UL Tamworth, Staffordshire  
T: +44 (0) 182763454 | W: scolmore.com | W: oviaUK.com

#### Middle East Helpline

1803 Lake Central Tower, Business Bay  
T: +971 4589 6552  
E: sales@scolmoredubai.com

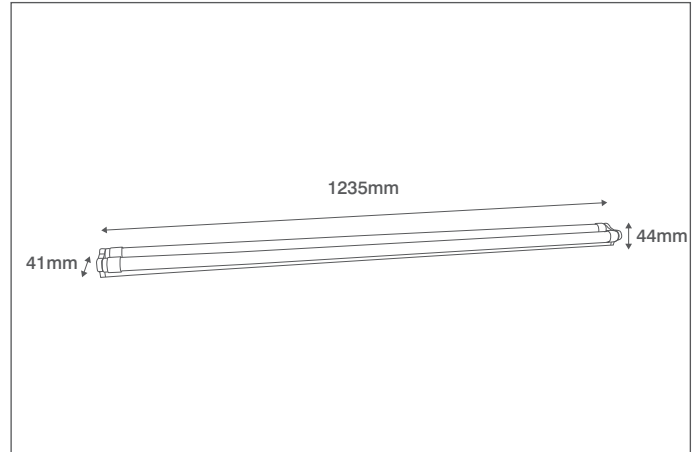


# MELI LINEAR

## Technical Specification

Product Code: SDLU2052-S2X18

Description: 36W (2 x 18W) Linear LED Batten (With Tubes) - 6500K - IP20



### General Information

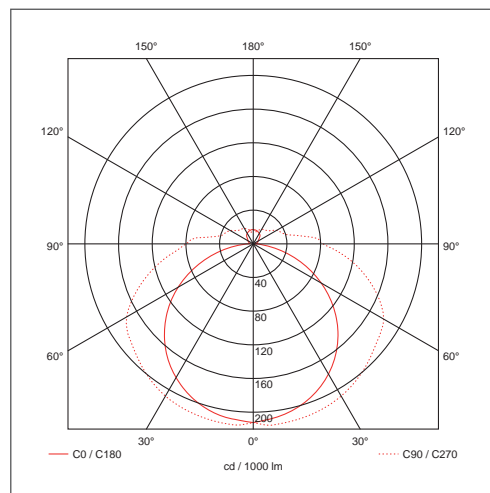
Dimensions	1235mm (L) x 41mm (W) x 44mm (D)
Materials	Base: Powdercoated Steel
Base Finish	White
Product Weight	0.545Kg
Dimmable	No
Ingress Protection	IP20
Mounting	Ceiling or Wall
Warranty	2 Years

### Supply & Power

Input Voltage & Frequency	230V ~ 50/60Hz
Electrical Safety	Class I
LED Wattage	36W
Circuit Wattage	36W
Input Current	90mA
Power Factor	>0.5
Ambient Temperature (Ta)	25°C
Energy Class	F

### Luminaire Output

Colour Temperature	6500K
CRI	>80
Typical Luminous Flux	3700lm
Efficacy	102lm/W
Beam Angle	200°
LED Lifetime (L70)	15,000 Hours
Flicker Free	No
Energy Class	F



#### United Kingdom

Scolmore House, Mariner, Lichfield Road Industrial Estate  
B79 7UL Tamworth, Staffordshire

T: +44 (0) 182763454 | W: scolmore.com | W: oviaUK.com

#### Middle East Helpline

1803 Lake Central Tower, Business Bay

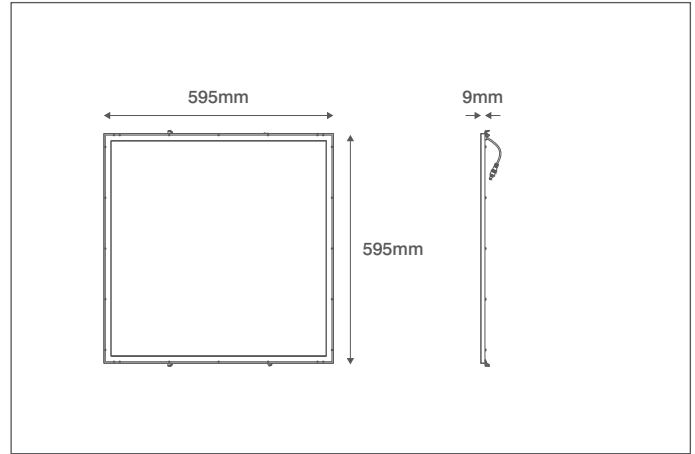
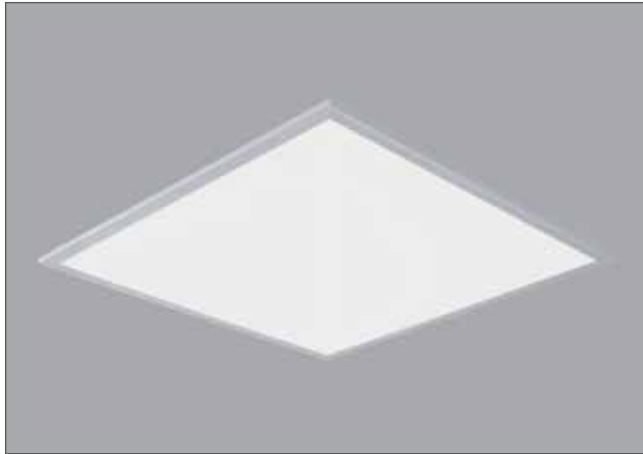
T: +971 4589 6552

E: sales@scolmoredubai.com



Product Code: SDPL1005-36W4K

Description: 36W 600mm x 600mm Edge Lit LED Panel - 4000K - White



### General Information

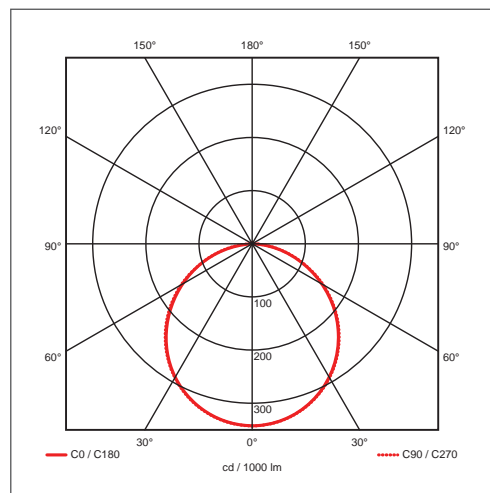
Dimensions	595mm (L) x 595mm (W) x 9mm (D)
Materials	Frame: Powdercoated Steel Diffuser: Polystyrene
Finish	White (RAL 9003)
Product Weight	1.7Kg
Dimmable	No
Ingress Protection	IP20
LGP Thickness	1.6mm
Warranty	2 Years

### Supply & Power

Input Voltage & Frequency	220-240V ~ 50/60Hz
Electrical Safety	Class II (Double Insulated)
LED Wattage	36W
Circuit Wattage	36W
Input Current	160mA
In-rush Current	<40A (350µs) @220Vac
Power Factor	>0.9
Ambient Temperature (Ta)	-25°C - +45°C
Critical Temperature	+90°C
LED Driver	Remote Driver Supplied
Energy Class	A+

### Luminaire Output

Colour Temperature	4000K
CRI	>80
Typical Luminous Flux	3600lm
Efficacy	100lm/W
Beam Angle	120°
LED Lifetime (L70)	50,000 Hours
Flicker Free	Yes
Energy Class	A+



#### United Kingdom

Scolmore House, Mariner, Lichfield Road Industrial Estate  
B79 7UL Tamworth, Staffordshire  
T: +44 (0) 182763454 | W: scolmore.com | W: oviaUK.com

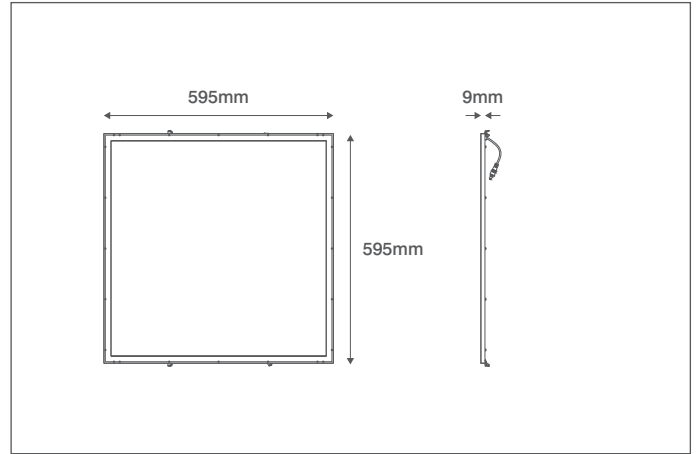
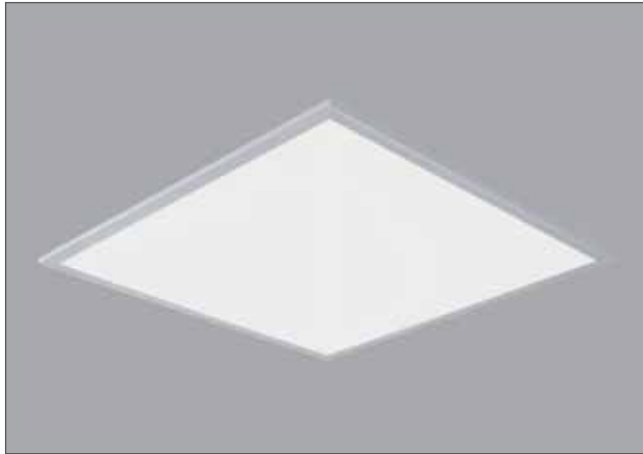
#### Middle East Helpline

1803 Lake Central Tower, Business Bay  
T: +971 4589 6552  
E: sales@scolmoredubai.com



Product Code: SDPL1005-36W6K

Description: 36W 600mm x 600mm Edge Lit LED Panel - 6000K - White



### General Information

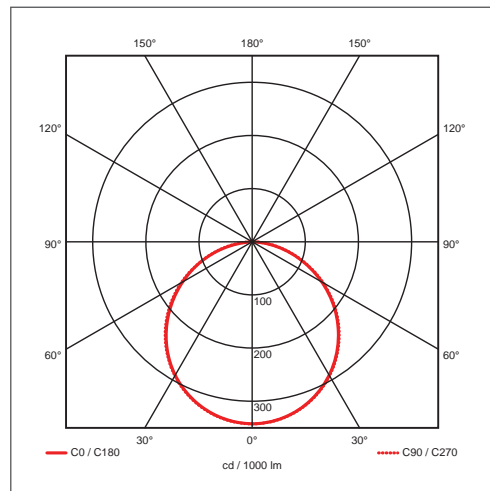
Dimensions	595mm (L) x 595mm (W) x 9mm (D)
Materials	Frame: Powdercoated Steel Diffuser: Polystyrene
Finish	White (RAL 9003)
Product Weight	1.7Kg
Dimmable	No
Ingress Protection	IP20
LGP Thickness	1.6mm
Warranty	2 Years

### Supply & Power

Input Voltage & Frequency	220-240V~ 50/60Hz
Electrical Safety	Class II (Double Insulated)
LED Wattage	36W
Circuit Wattage	36W
Input Current	160mA
In-rush Current	<40A (350µs) @220Vac
Power Factor	>0.9
Ambient Temperature (Ta)	-25°C - +45°C
Critical Temperature	+90°C
LED Driver	Remote Driver Supplied
Energy Class	A+

### Luminaire Output

Colour Temperature	6000K
CRI	>80
Typical Luminous Flux	3600lm
Efficacy	100lm/W
Beam Angle	120°
LED Lifetime (L70)	50,000 Hours
Flicker Free	Yes
Energy Class	A+



#### United Kingdom

Scolmore House, Mariner, Lichfield Road Industrial Estate  
B79 7UL Tamworth, Staffordshire  
T: +44 (0) 182763454 | W: scolmore.com | W: oviaUK.com

#### Middle East Helpline

1803 Lake Central Tower, Business Bay  
T: +971 4589 6552  
E: sales@scolmoredubai.com

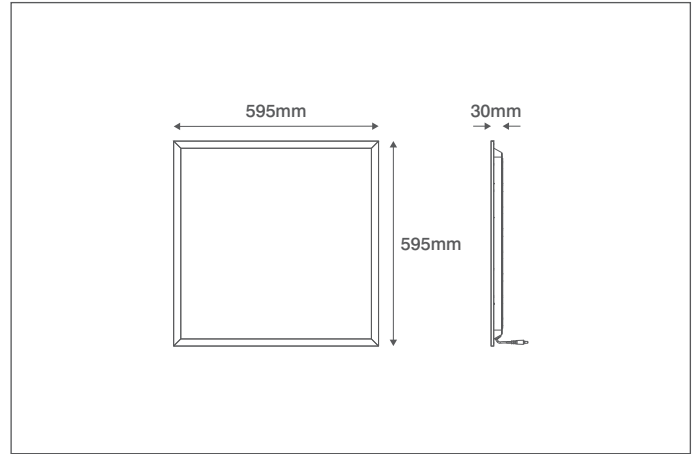


# MELI TILE

## Technical Specification

Product Code: SDPL2005-40W4K

Description: 40W 600mm x 600mm Backlit LED Panel - 4000K - White



### General Information

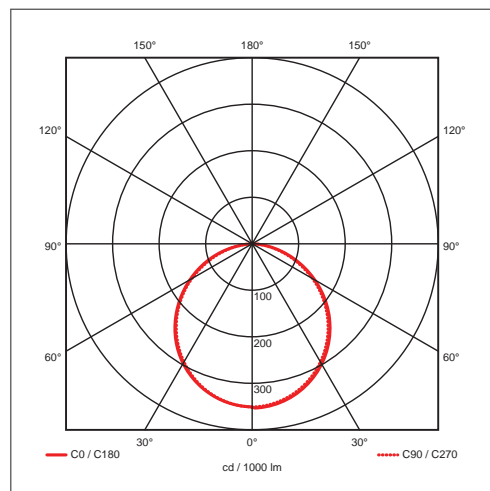
Dimensions	595mm (L) x 595mm (W) x 30mm (D)
Materials	Frame: Powdercoated Steel Diffuser: Polystyrene
Finish	White (RAL 9003)
Product Weight	1.8Kg
Dimmable	No
Ingress Protection	IP20
Warranty	2 Years

### Supply & Power

Input Voltage & Frequency	220-240V ~ 50/60Hz
Electrical Safety	Class II (Double Insulated)
LED Wattage	40W
Circuit Wattage	40W
Input Current	180mA
In-rush Current	<40A (350µs) @220Vac
Power Factor	>0.9
Ambient Temperature (Ta)	-25°C - +45°C
Critical Temperature	+90°C
LED Driver	Remote Driver Supplied
Energy Class	A+

### Luminaire Output

Colour Temperature	4000K
CRI	>80
Typical Luminous Flux	4000lm
Efficacy	100lm/W
Beam Angle	120°
LED Lifetime (L70)	50,000 Hours
Flicker Free	Yes
Energy Class	A+



#### United Kingdom

Scolmore House, Mariner, Lichfield Road Industrial Estate  
B79 7UL Tamworth, Staffordshire  
T: +44 (0) 182763454 | W: scolmore.com | W: oviaUK.com

#### Middle East Helpline

1803 Lake Central Tower, Business Bay  
T: +971 4589 6552  
E: sales@scolmoredubai.com



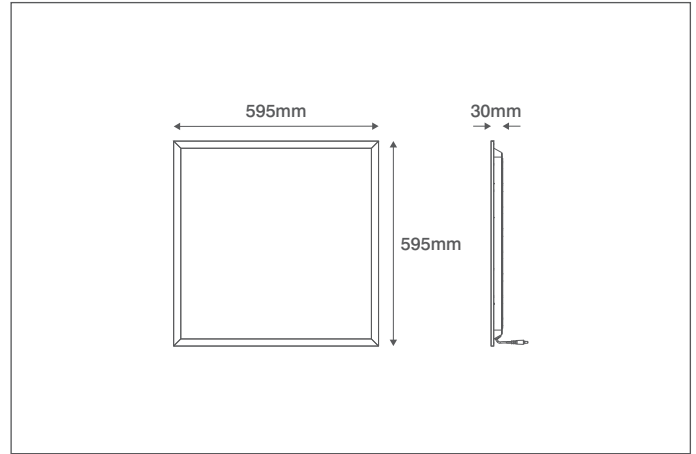


# MELI TILE

## Technical Specification

Product Code: SDPL2005-40W6K

Description: 40W 600mm x 600mm Backlit LED Panel - 6000K - White



### General Information

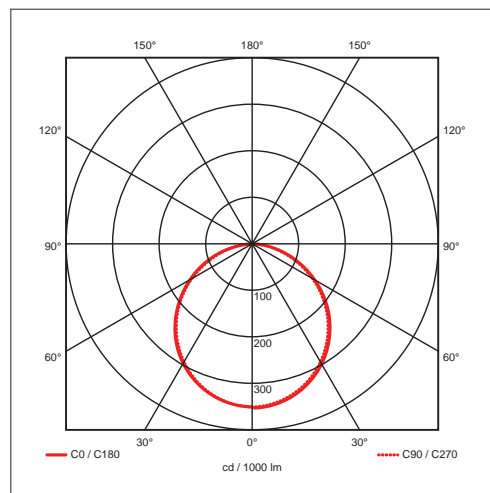
Dimensions	595mm (L) x 595mm (W) x 30mm (D)
Materials	Frame: Powdercoated Steel Diffuser: Polystyrene
Finish	White (RAL 9003)
Product Weight	1.8Kg
Dimmable	No
Ingress Protection	IP20
Warranty	2 Years

### Supply & Power

Input Voltage & Frequency	220-240V ~ 50/60Hz
Electrical Safety	Class II (Double Insulated)
LED Wattage	40W
Circuit Wattage	40W
Input Current	180mA
In-rush Current	<40A (350µs) @220Vac
Power Factor	>0.9
Ambient Temperature (Ta)	-25°C - +45°C
Critical Temperature	+90°C
LED Driver	Remote Driver Supplied
Energy Class	A+

### Luminaire Output

Colour Temperature	6000K
CRI	>80
Typical Luminous Flux	4000lm
Efficacy	100lm/W
Beam Angle	120°
LED Lifetime (L70)	50,000 Hours
Flicker Free	Yes
Energy Class	A+



#### United Kingdom

Scolmore House, Mariner, Lichfield Road Industrial Estate  
B79 7UL Tamworth, Staffordshire

T: +44 (0) 182763454 | W: scolmore.com | W: oviaUK.com

#### Middle East Helpline

1803 Lake Central Tower, Business Bay

T: +971 4589 6552

E: sales@scolmoredubai.com

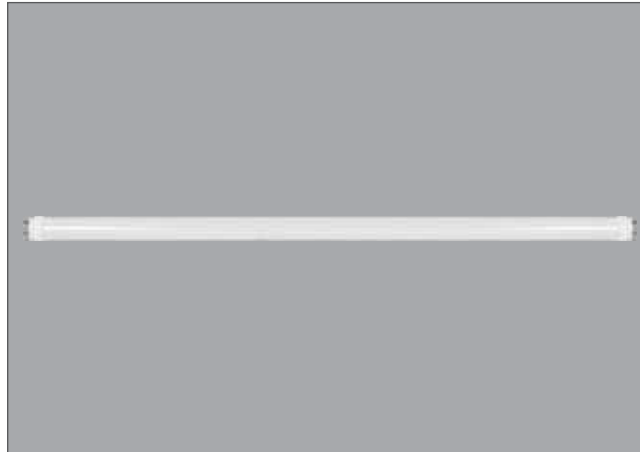


# MELI LAMPS

## Technical Specification

Product Code: SDLT151-18W-100LM/W

Description: 18W T8 LED SMD Lamp - 6500K



### General Information

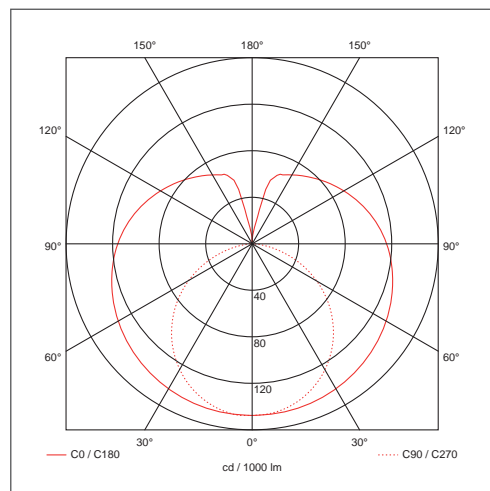
Dimensions	1213mm x 28mm Diameter
Product Weight	0.2Kg
Dimmable	No
Ingress Protection	IP20
Warranty	2 Years

### Supply & Power

Input Voltage & Frequency	185-265V ~ 50/60Hz
Electrical Safety	Class II (Double Insulated)
LED Wattage	18W
Circuit Wattage	18W
Input Current	140mA
Power Factor	>0.5
Ambient Temperature (Ta)	25°C
Energy Class	F
Lamp Connection	Double Ended Connection

### Lamp Output

Colour Temperature	6500K
CRI	>80
Typical Luminous Flux	1800lm
Efficacy	100lm/W
Beam Angle	200°
LED Lifetime (L70)	15,000 Hours
Flicker Free	No
Energy Class	F



#### United Kingdom

Scolmore House, Mariner, Lichfield Road Industrial Estate  
B79 7UL Tamworth, Staffordshire

T: +44 (0) 182763454 | W: scolmore.com | W: oviaUK.com

#### Middle East Helpline

1803 Lake Central Tower, Business Bay

T: +971 4589 6552

E: sales@scolmoredubai.com





Lake Central Tower,  
Office 1803,  
Business Bay  
Dubai, UAE

**T:** +971 4589 6552

**E:** [sales@scolmoredubai.com](mailto:sales@scolmoredubai.com)

[www.scolmoredubai.com](http://www.scolmoredubai.com)

Sangamo Limited, Industrial Estate, Port Glasgow, Renfrewshire, PA14 5XG

Errors and Omissions excluded. Specification is subject to change without notice.